

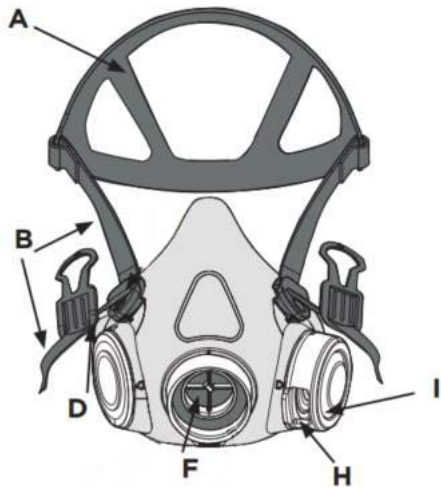


Reusable Respirator, Powered & Supplied Air Parts & Accessories

Please note not all parts and accessories are stocked or active in our system.
Please contact 3M sales rep or customers service for further clarification.

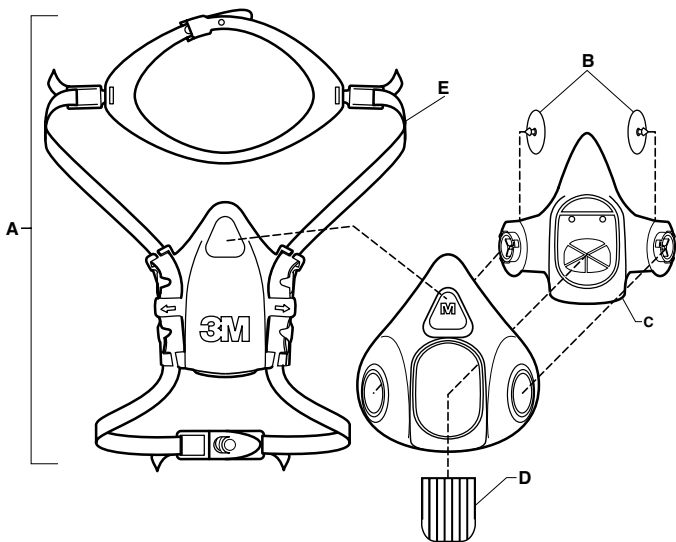
Parts & Accessories

3M™ Reusable Respirator Half Face Accessories HF-300 (Aviva40)



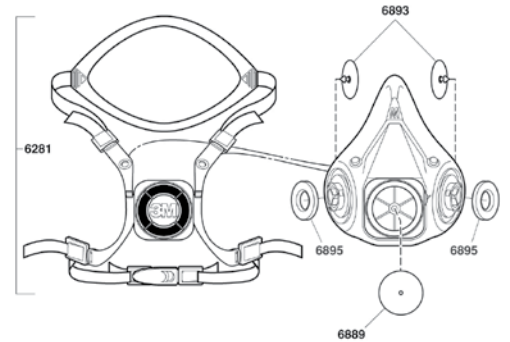
3M Order Code	Model #	Description
UU011565379	HF-300-04	Head Harness Assembly (A & B)
UU011565387	HF-300-41	Head Harness Clips (D)
UU011565346	HF-300-01	Inhalation Valve (F)
UU011565338	HF-300-02	Exhalation Valve (H)
UU011565981	HF-300-21	Exhalation Valve Cover (I)
XP100544970	RXFTA/STAN	DIN40 Quantitative CNC Fit Test Adapter

3M™ Half Face Respirator Accessories 7500



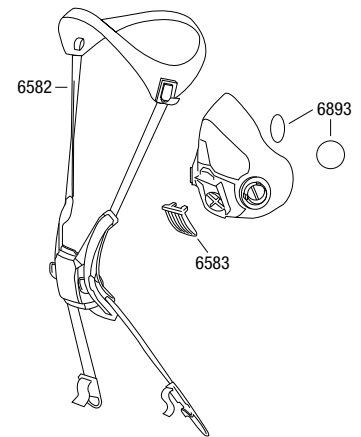
3M Order Code	Model #	Description
AT010561499	7581	Head Harness Assembly (A)
AT010561507	7582	Inhalation Valve (B)
AT010561523	7586	Filter Holder with 2 × 7582, 1 × 7583 (C)
AT010561515	7583	Exhalation Valve (D)
70071534294	7580	Respirator replacement strap (E)
70070406544	601	Quantitative CNC Fit Test Adapter 601

3M™ Reusable Respirator Half Face Accessories 6000



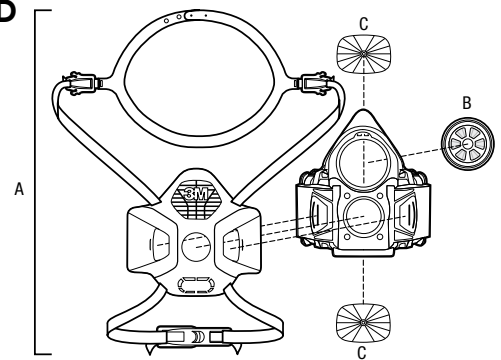
3M Order Code	Model #	Description
70070846087	6281	Standard Head Harness Assembly
70070757656	6889	Exhalation Valve
70070710986	6893	Inhalation Valve
70070710994	6895	Inhalation Gasket
70070406544	601	Quantitative CNC Fit Test Adapter 601

3M™ Half Face Respirator Accessories 6500QL



3M Order Code	Model #	Description
70071668175	6582	Head harness Cradle
70071668183	6583	Exhalation Valve
70070710986	6893	Inhalation Valve
70070406544	601	Quantitative CNC Fit Test Adapter 601

3M™ Half Face Respirator Accessories HF-800SD

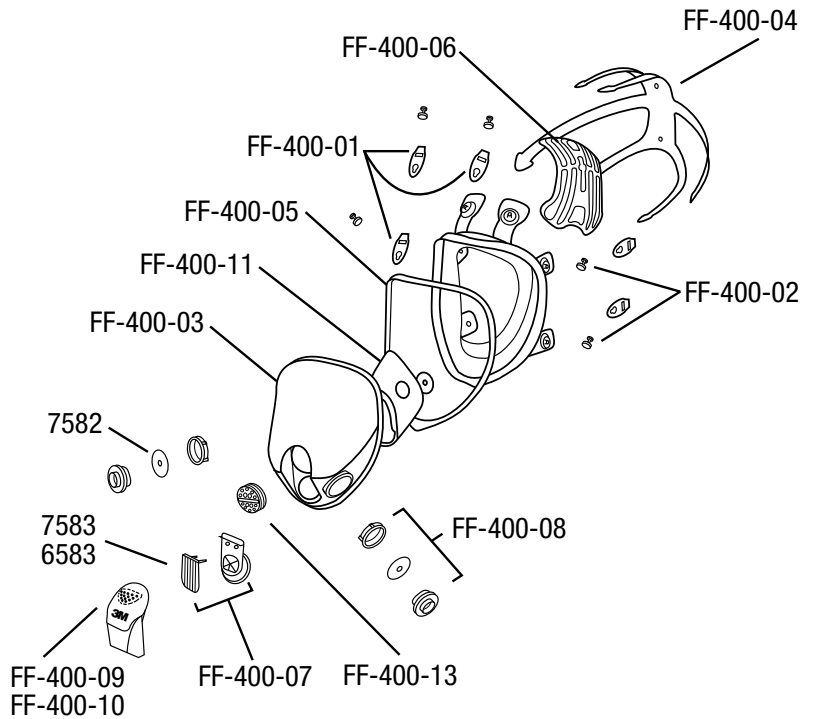


3M Order Code	Model #	Description
UU009607902	HF-800-04	Head Harness Assembly SD Version (A)
UU009620988	HF-800-05	Speaking Diaphragm (B)
UU009608314	HF-800-02	Inhale/Exhale Valve (C) Pack size. Sold as each
UU009620905	HF-800-03	Quantitative Fit Test Adapter Kit

Parts & Accessories

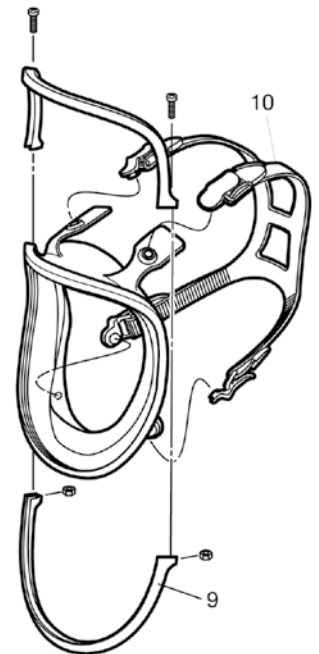
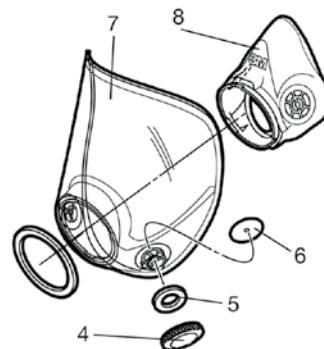
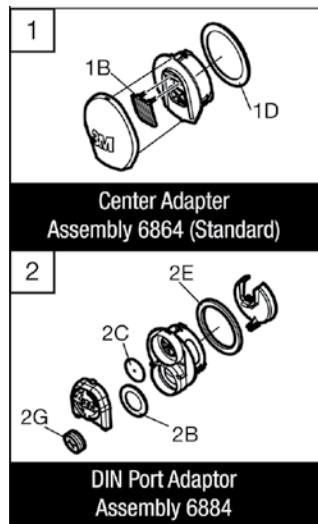
3M™ Full Face Respirator Accessories FF-400

3M Order Code	Model #	Description
70071516846	FF-400-01	Buckle
70071516853	FF-400-02	Button
70071516861	FF-400-03	Lens replacement
70071516879	FF-400-04	Head Harness
70071516887	FF-400-05	Lens Frame Assembly
70071516895	FF-400-06	Comfort Cradle
70071516903	FF-400-07	Exhalation Valve Assembly
70071516911	FF-400-08	Bayonet Assembly
70071516929	FF-400-09	Exhalation Valve Cover
70071516937	FF-400-10	Solid Exhalation Valve Cover
70071516945	FF-400-11	Nose Cup Assembly. Comes with 7582 inhalation valves for nose cup.
70071516960	FF-400-13	Speaking Diaphragm
70071516986	FF-400-17	Semi-permanent lens protector. Adhesive around full edge
XA006514674	102	3M Universal spectacle kit
AT010561507	7582	Inhalation Valve
AT010561515	7583	Exhalation Valve
70071668183	6583	Exhalation Valve
70070406544	601	Quantitative CNC Fit Test Adapter 601



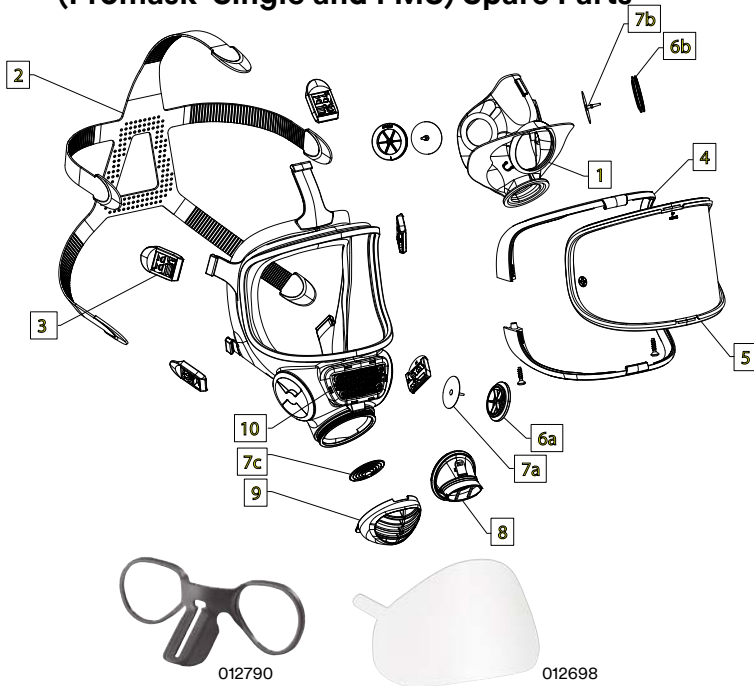
3M™ Reusable Respirator Full Face 6000 & 6000DIN Accessories

3M Order Code	Model #	Description
AT019223471	6864	Centre Adapter Assembly (1)
70071668183	6583	Exhalation Valve (1B)
70070847051	6896	DIN Centre Adapter Gasket (1D & 2E)
AT019166936	6884	DIN Port Adapter Assembly (2)
70070890176	6876	Breathing Tube gasket (2B)
70070757656	6889	Exhalation Valve (2C)
70070079150	7890	Full face plug (2G)
70070757375	6880	Bayonet Blanking Cap (4)
70070710994	6895	Inhalation Gasket (5)
70070710986	6893	Inhalation Valve (6)
AT019167447	6898	Full Facepiece Lens Assembly (7)
AT019167421	6894	Nosecup Assembly (includes inhalation 6893 valves) (8)
70070709178	6899	Lens Frame Kit (9)
AT019167439	6897	Head Harness Assembly - Full Face (10)
70070709103	6885	Clear Lens Cover
AT019223489	6886	Tinted Lens Cover
XA006514674	102	3M Universal spectacle kit
70070406544	601	Quantitative CNC Fit Test Adapter
XP100544970	RXFTA/STAN	DIN40 Quantitative CNC Fit Test Adapter for 6000DIN



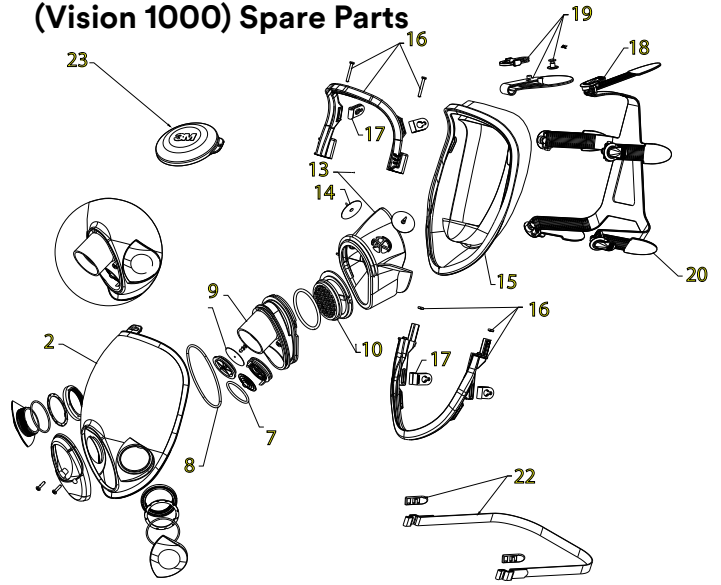
Parts & Accessories

3M Resuable Respirator Full Face FF-300 (Promask Single and FM3) Spare Parts



3M Order Code	Model #	Description
XP100547239	012691	Inner mask silicone with fastening ring (1)
XP100546108	012692	Rubber head harness (2)
XP100544129	012694	Harness buckle set (5 pieces) (3)
XP100547247	012693	Visor frame set (4)
XP100544137	012695	Polycarbonate visor (5)
XP100544186	012795	Polycarbonate visor (hard coated) (5)
XP100544103	012689	Valve seat set (6a, 6b)
XP100544111	012690	Valve disc set (7A 7B 7C) (LIC)
XP100544087	012687	Speech Diaphragm (8)
XP100544095	012688	Exhalation Valve Cover (9)
XP100547296	012794	Speech Channel Cover (10)
XP100547254	012697	Neckband Promask
XP100547270	012775	Webbing head harness Promask
XP100547288	012777	DIN40 Blanking Plug 40mm
XP100547189	012658	Spark Guard - Speech Diaphragm
XP100547197	012659	Spark Guard - Exhalation valve
XP100544970	RXFTA/STAN	DIN40 Quantitative CNC Fit Test Adapter
XP100544145	012698	Visor overlays (set OF 10)
XP100544160	012790	Prescription spectacle frame

3M Resuable Respirator Full Face FF-600F (Vision 1000) Spare Parts



3M Order Code	Model #	Description
UU011589148	FF-600F-925	Standard Visor* (2)
UU011565155	FF-600-01	Inhalation Valve (4)
XP100062965	1027929	O-ring for exhalation valve (5pk) (7)
UU011570064	2001316	O-ring for front fitting (5pk) (8)
UU011565791	FF-600F-06	Front Cover 5/Case (9)
UU011589130	FF-600-07	Speech Diaphragm Assembly (10)
UU011589130	FF-600F-07	Speech Diaphragm Assembly 20/Case (10)
XP100544814	7171289	Inner mask & valves M/L (13)
XP100544756	7111429	Inhalation valve (6pk) (14)
XP100549177	7170289	Face seal M & M/L (15*)
XP100549185	7171089	Clamp, screws and nuts for M/L (1 set) (16*)
XP100065638	1033128	Mask hinge set (3 upper, 2 lower) (17)
XP100544806	7170789	Buckles and rollers (5pk) (18)
XP100549201	7175189	Stirrup, Rubber Link and Top Mount (1 set) (19)
XP100544798	7170489	Head harness (rubber) (20)
UU010979548	1033400	Vision 3 Head harness (polynet) (21)
XP100065687	1033178	Neckstrap rubber Promask (22)
XP100544442	052693	Pro2000 Filter covers, orange polyethylene LDPE (2pcs) (23)
XP100544764	7111499	Service pack (incl 2 exhalation valves and 6 inhalation valves)
XP100544970	RXFTA/STAN	DIN40 Quantitative CNC Fit Test Adapter
XP100545068	VCP1000	Visor overlay tear off (pk 5)
XP100123155	2015082	FF-600 & FF-600F spectacle frames

(*) To be fitted by Service Center

Full Face Respirator Accessories

Accessories for Full Face Respirators.



3M Order Code	Model #	Description
XP100544004	010185	Polyethylene storage case
AT010655788	MASKBAGL	Canvas bag for half mask and Full Face mask and Filters
AT010687468	6164101E	Poly Storage Case PVC
AT010655762		Bag facepiece BA 3M Scott Fire & Safety Proban Gold 44x33cm

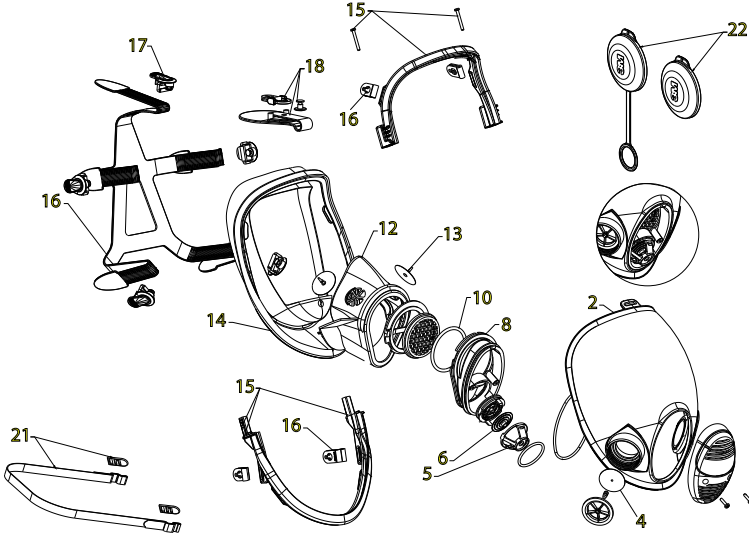
3M™ Respirator Cleaning Wipe 504



3M Order Code	Model #	Description
AT010587411	504	Respirator Cleaning Wipe, Alcohol-Free

Parts & Accessories

3M Resuable Respirator Full Face FF-600 (Vision 4000) Spare Parts



3M Order Code	Model #	Description
UU011589148	FF-600F-925	Standard Visor* (2)
UU011565155	FF-600-01	Inhalation Valve (4)
UU011589072	2015853	Exhalation valve complete assembly (5*)
XP100062965	1027929	O-ring for exhalation valve (5pk) (6)
XP100065596	1033085	Front fitting and inserts (8)
UU011589130	FF-600-07	Speech Diaphragm Assembly (9)
XP100094158	2001322	O-ring for speech diaphragm (5pk) (10)
XP100549177	7171289	Inner mask & valves M/L (12)
XP100544756	7111429	Inhalation valve (6pk) (13)
XP100549177	7170289	Face seal M & M/L* (14)
XP100549185	7171089	Clamp, screws and nuts for M/L (1 set) (15*)
XP100065638	1033128	Mask hinge set (3 upper, 2 lower) (16)
XP100544806	7170789	Buckles and rollers (5pk) (17)
XP100549201	7175189	Stirrup, Rubber Link and Top Mount (1 set) (18)
XP100544798	7170489	Head harness (rubber) (19)
XP100065687	1033178	Neckstrap rubber Promask (21)
XP100544442	052693	Filter covers, polyethylene LDPE (2pcs) (22)
XP100065943	1033400	Vision 3Head harness (polynet)
XP100544764	7111499	Service pack (incl 2 exhalation valves and 6 inhalation valves)
XP100544970	RXFTA/STAN	DIN40 Quantitative CNC Fit Test Adapter
XP100545068	VCP1000	Visor overlay tear off (pk 5)
XP100123155	2015082	FF-600 & FF-600F spectacle frames

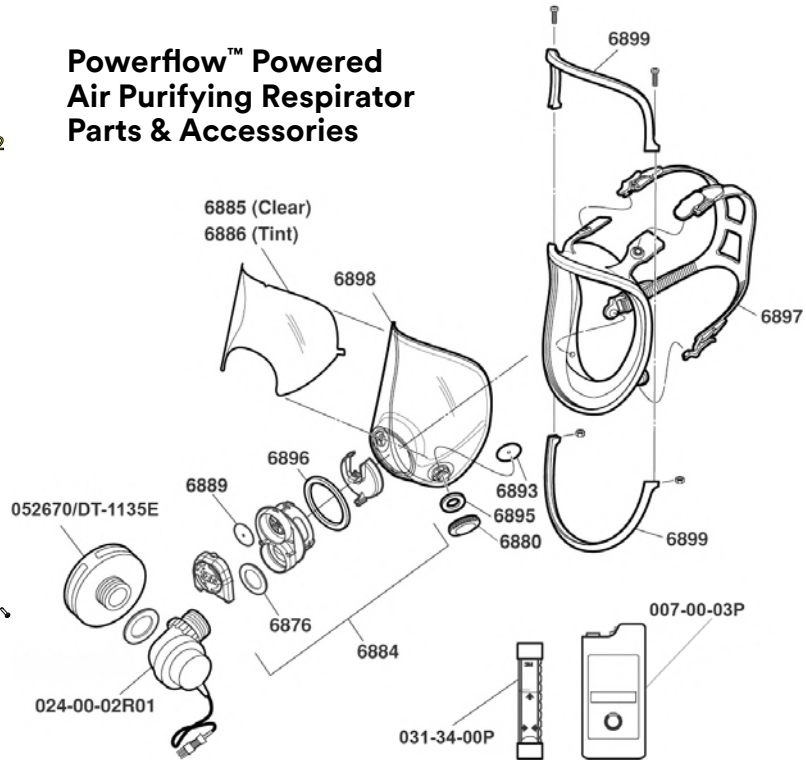
(* To be fitted by Service Center)

3M™ Qualitative Fit Test Kits



3M Order Code	Description
70070121457	3M™ Sensitivity Solution FT-11, Sweet (Saccharin)
AT019167397	3M™ Fit Test Solution FT-12, Sweet (Saccharin)
AT019167058	3M™ Fit Test Nebuliser FT-13
70070121481	3M™ Fit Test Hood FT-14
70070709657	3M™ Sensitivity Solution FT-31, Bitter (Bitrex)
70070709665	3M™ Fit Test Solution FT-32, Bitter (Bitrex)

Powerflow™ Powered Air Purifying Respirator Parts & Accessories



3M Order Code	Model #	Description
70070885077	024-00-02RO1	Powerflow™ Turbo Unit
52000002106	007-00-03P	NiCd Battery Pack (Tubular)
AT019462269	003-00-04P	NiCd Battery Charger
XA007708051	031-34-00P	Powerflow™ Airflow Indicator
XA007706048	024-04-02P	Decontamination Kit and Cannister Cover
XP100544418	052670/DT-1135E	DT-Series (Pro2000) DT-1135E PF10
70070757375	6880	Bayonet Blanking Cap
AT019166936	6884	DIN Port Adapter Assembly
70070709103	6885	Clear Lens Cover
AT019223489	6886	Tinted Lens Cover
70070757656	6889	Exhalation Valve
70070710986	6893	Inhalation Valve
AT019167421	6894	Nosecup Assembly (includes inhalation valves)
70070710994	6895	Inhalation Gasket
70070847051	6896	DIN Centre Adapter Gasket
AT019167439	6897	Head Harness Assembly - Full Face
AT019167447	6898	Full Facepiece Lens Assembly
70070709178	6899	Lens Frame Kit
XA006514674	102	3M Universal spectacle kit
AT010561333	6800DIN	Medium Face Piece
AT010601667	6900DIN	Large Face Piece
XP100544970	RXFTA/STAN	DIN40 Quantitative CNC Fit Test Adapter

3M™ Scott Trigen Solution & Wipes

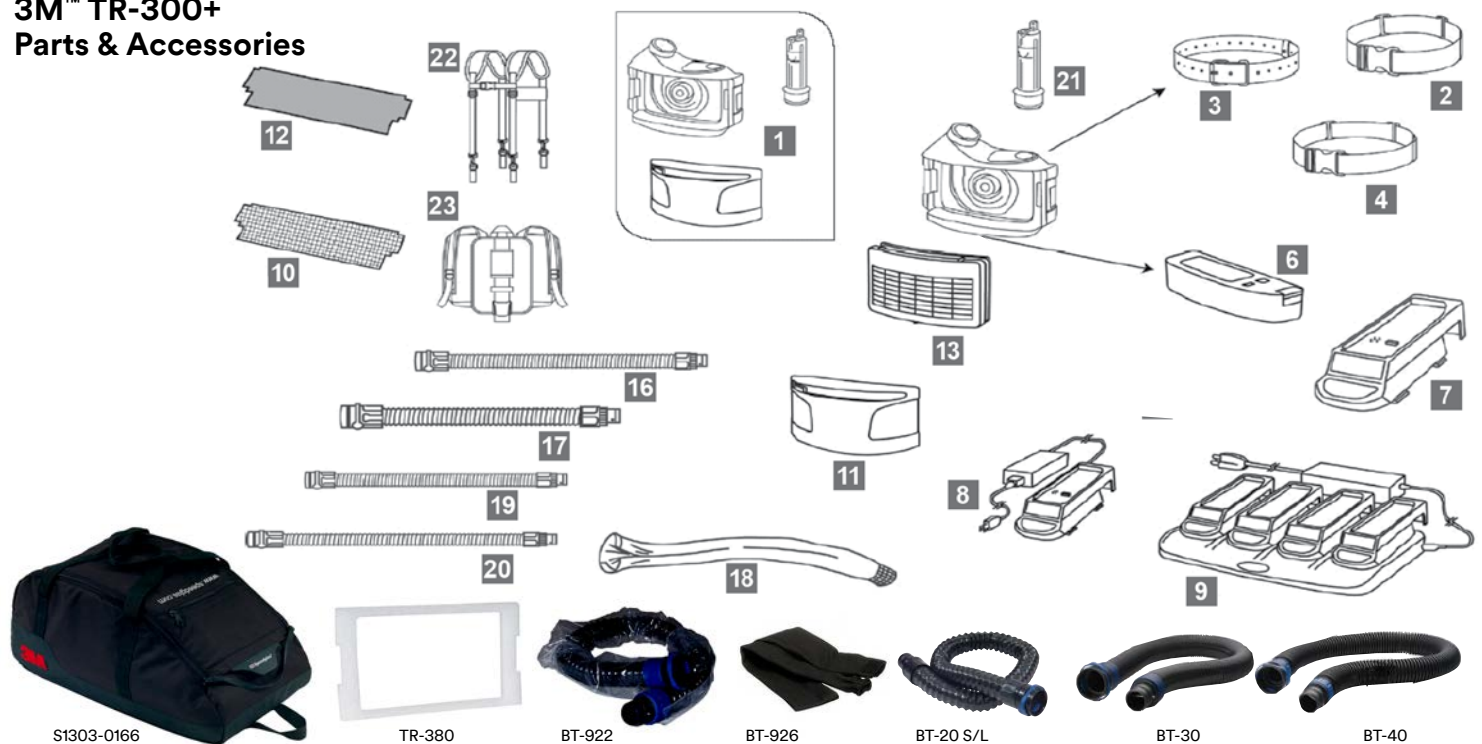
- Antimicrobial respirator and surface wipes
- Available as ready-to-use wipes & pre-mixed solution or in concentrate form for dilution on-site
- TGA Registered - ARTG No: 232937 & 233129



3M Order Code	Model #	Description
AT010788142		Trigen Wipes Drum (180)
AT010648684	2008248EA	Trigen Solution 5L Concentrat Clear
AT010659616	TRIG:31	Trigen Pre-Mix 1 To 100 5L Green

Parts & Accessories

3M™ TR-300+ Parts & Accessories



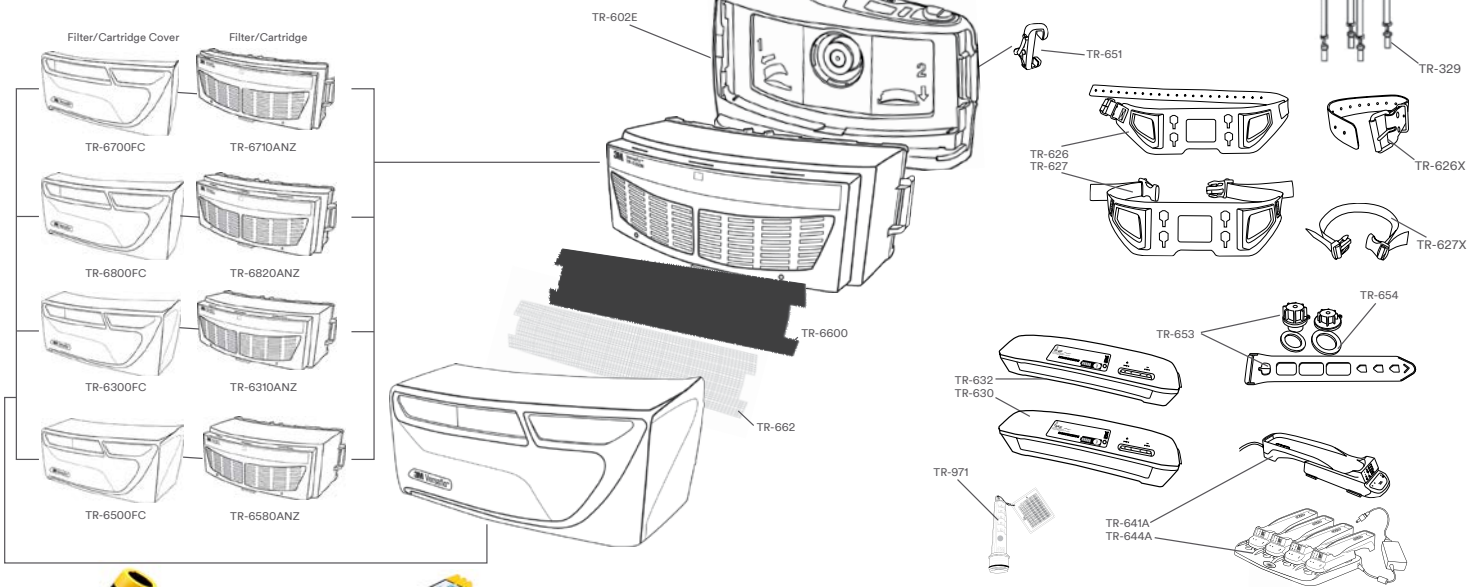
3M Order Code	Model #	Description
UU008566075	TR-302E	Air Filter Unit (1)
XA007706592	TR-325	Std Waist Belt (2)
XA007706691	TR-326	High Durability Leather Waist Belt (3)
XA007706709	TR-327	Easy Clean Waist Belt (4)
XA007706568	TR-332	High capacity battery pack (6)
XA007706667	TR-340	Charging Cradle (7)
AT010590274	TR-341A	Single Station Battery Charger, Power Supply and Lead (8)
AT010590282	TR-344A	Quad Station Battery Charger, Power Supply and Lead (9)
XA007706659	TR-362E	Spark Arrestor (10)
UU006386765	TR-371+	Versaflo Filter Cover TR-300+ (11)
AT010592650	TR-3600	Versaflo™ Prefilter (12)
70071765054	TR-3712E	Versaflo™ Filter Particulate, P3 (13)
78815069386	TR-3802E	Filter P3 plus Nuisance Organic Vapour (13)
78815069394	TR-3822E	Filter P3 & HF Plus Nuisance Acid Gases (13)
XA007706584	BT-30	Self-adjustable Polyurethane Breathing Tube L=525-850mm (16)
UU003085113	BT-40	Fixed length Heavy Duty Neoprene Breathing Tube L=840mm (17)
70071564432	BT-926	Flame Resistant Breathing Tube Cover - 1 per case (18)
XA007706527	BT-922	Breathing Tube Cover Polyethylene Clear - 1 per case (18) Breathing tube not included
UU006081895	BT-927	Breathing Tube Radiant Heat Cover - 1 per case (18)
70071533015	BT-20L	Fixed length lightweight Polyurethane Breathing Tube L=965mm (19)
70071533023	BT-20S	Fixed length lightweight Polyurethane Breathing Tube L=735mm 5/case (20)
XA007706576	TR-970	Air Flow Indicator (21)
AT019167745	TR-329	Braces for PAPR Belt System (22)
XA007706618	BPK-01	Back Harness (23)
52000053646	TR-380	Versaflo Surround Gasket
AT010601550	S1303-0166	Versaflo™ Storage Bag
70071765583	TR-381	TR-300 PAPR Cover 10 ea/Case
AT010784307	901-00-87	28L Tote bin for PAPR kits

TR-315A+ Powered Air Purifying Respirator Filters and Filter covers

3M Order Code	Model #	Description
AT010592650	TR-3600	Versaflo™ Prefilter (12)
70071765054	TR-3712E	Versaflo™ Filter P3 Particulate 5 BOXES/CASE (13)
78815069386	TR-3802E	Filter P3 plus Nuisance Organic Vapour (13)
78815069394	TR-3822E	Filter P3 & HF Plus Nuisance Acid Gases (13)
UU006386765	TR-371+	Versaflo Filter Cover for TR-300+ (11)

Parts & Accessories

3M™ TR-600 & TR-800 Parts & Accessories



TR-600

3M Order Code	Model #	Description
70071667862	TR-602E	TR-602E Powered Air Turbo unit
52000053547	TR-630	Standard Battery TR-630
52000053554	TR-632	TR-632 Versaflo™ High Capacity Battery
70071622081	TR-651	Filter Latch TR-651

TR-800

3M Order Code	Model #	Description
70071730900	TR-802E	TR-802E PAPR Motor/Blower 1/CS
70071697125	TR-838	TR-838 Battery attachment tool
70071697117	TR-830	TR-830 Battery, Intrinsically safe 1/CS
70071697133	TR-851	TR-851 Filter latch assembly

TR-600 & TR-800 Powered Air Purifying Respirator Filters and Filter covers

3M Order Code	Model #	Description
70071618246	TR-6600	TR-6600 Versaflo™ Pre-Filter
70071618261	TR-6700FC	Filter Cover to Suit Versaflo™ TR-6710ANZ
UU008996199	TR-6710ANZ	High Efficiency Particle Filter Versaflo™
70071622040	TR-6800FC	Filter Cover to Suit Versaflo™ TR-6820ANZ Nuisance Odour* P3 Filter
UU008996207	TR-6820ANZ	Nuisance Odour* Plus P3 Filter
70071622065	TR-6300FC	Filter Cover to Suit Versaflo™ TR-6310ANZ P3 Filter
UU008996215	TR-6310ANZ	A1P3 Filter For Organic Vapours includes a P3 filter
70071622073	TR-6500FC	Filter Cover to Suit Versaflo™ TR-6580ANZ
UU008996223	TR-6580ANZ	A1B1E1HgP3 Filter For Organic Vapours, Acid Gases, In-organic vapours and Mercury including a P3 Filter
70071618253	TR-662	Spark Arrestor

TR-600 & TR-800 Powered Air Purifying Respirator Charger and Accessories

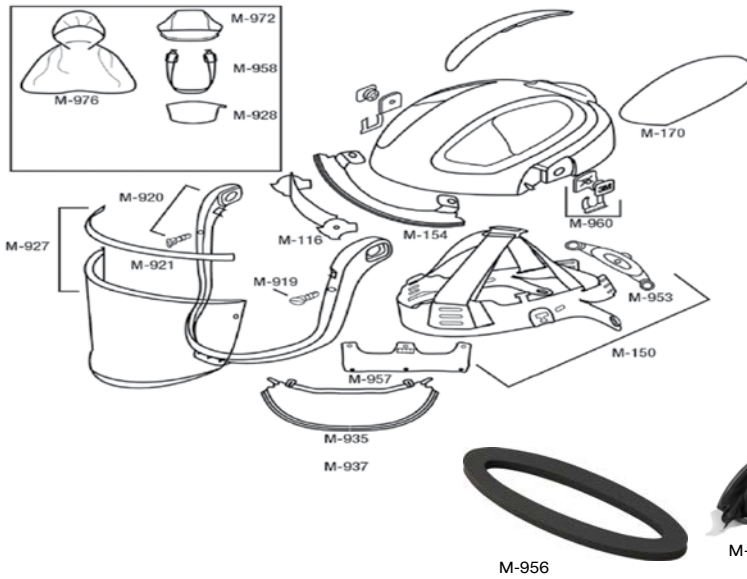
3M Order Code	Model #	Description
52000053588	TR-644A	4 Station Charger to Suit the Versaflo™ TR-630, TR-632 and TR-830E battery including charger, Power Supply and Lead
52000053570	TR-641A	Single Station Charger to Suit Versaflo™ TR-630, TR-632 and TR-830E battery including charger, Power Supply and Lead
70071618428	TR-653	Cleaning & Storage Kit to suit Versaflo™ TR Systems
70071618253	TR-662	Spark Arrestor TR-662 to suit Versaflo™ TR-600
70071668076	TR-971	Airflow Indicator for TR-600/TR-800 Versaflo™ Unit
78815045279	TR-627	Easy Clean Belt
52000053521	TR-626	High Durability Leather Belt
XA007706618	BPK-01	Back Harness
70071651692	TR-655	Enables TR-600/TR-800 PAPR to be mounted on backpack BPK-01
70071618147	TR-626X	3M™ Versaflo™ High Durability Belt Extender
70071618162	TR-627X	3M™ Versaflo™ Easy Clean Belt Extender
70071533015	BT-20L	Fixed length lightweight Polyurethane Breathing Tube L=965mm
70071533023	BT-20S	Fixed length lightweight Polyurethane Breathing Tube L=735mm
XA007706584	BT-30	Self-adjustable Polyurethane Breathing Tube L=525-850mm
UU003085113	BT-40	Fixed length Heavy Duty Neoprene Breathing Tube L=840mm
AT010601550	S1303-0166	Versaflo™ Storage Bag
AT019167745	TR-329	Braces for PAPR Belt
70071765625	TR-681	TR-600/TR-800 PAPR Cover 10 ea/Case. Covers blower, breathing tube and belt

BT-63 & BT-64 Breathing Tube for approved tight fitting facepieces

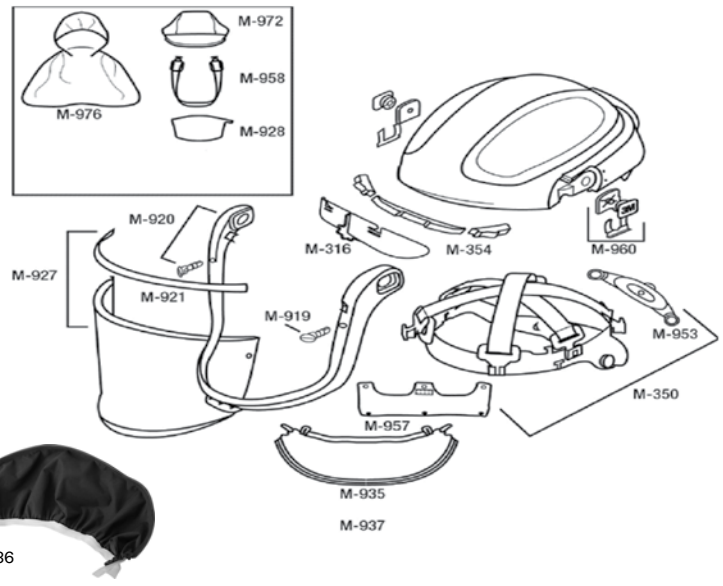
3M Order Code	Model #	Description
70071730876	BT-64	Versaflo™ Heavy Duty Tight Fitting Breathing Tube BT-64 1 EA/Case
70071730934	BT-63	Versaflo™ Length Adjusting Tight Fitting Breathing Tube BT-63 1/Case
70071730892	BT-953	Versaflo™ Cleaning & Storage Kit BT-953, for BT-63/64 Breathing Tubes 1/case
70071730884	TR-973	Versaflo™ Air Flow Indicator TR-973, for TR-600 PAPR with BT-63/64 Breathing Tube 1/case

Parts & Accessories

Versaflo™ M-100 (Discontinued)/ M-200 Common Accessories, Spares and Options



Versaflo™ M-300 Common Accessories, Spares and Options



3M Order Code	Model #	Description
70071564168	M-116	Airflow Deflector
UU003029491	M-150	Head Suspension - 1 per case
UU003029723	M-154	Forehead Seal - 1 per case
70071544970	M-170	Versaflo M-170 Faceshield Head Inserts for M-100
70071564309	M-919	Visor Frame Buttons - 10 per case
70071564317	M-920	Visor Frame Assembly - 1 per case
70071564325	M-921	Visor Gasket - 5 per case
UU003029442	M-927	Coated Visor - 5 per case
70071564341	M-928	Peel-Off Visor Covers - 40 per case
UU003029202	M-935	Standard Faceseal - 5 per case
UU008294835	M-936	Comfort Faceseal - 5 per case
70071564374	M-937	Flame resistant Faceseal - 5 per case
52000183096	M-953	Headband back part
UU003029772	M-956	Size reducing Comfort Pad - 10 per case
XA007705925	M-957	Forehead Comfort Pad - 20 per case
XA007705909	M-958	Chin Strap - 1 per case
70071564390	M-960	Visor Pivot Kit - 1 per case
UU003029434	M-972	Flame resistant head-top cover - 1 per case
UU003029780	M-976	Head, Neck, Shoulder Cover - 1 per case
XA007702625	Z3AF/2	Peltor E Back Plate to attach Peltor earmuffs

3M Order Code	Model #	Description
70071564218	M-316	Airflow deflector
70071564226	M-350	Helmet head suspension
UU003029749	M-354	Forehead Seal
70071564309	M-919	Visor Frame Buttons - 10 per case
70071564317	M-920	Visor Frame Assembly - 1 per case
70071564325	M-921	Visor Gasket - 5 per case
UU003029442	M-927	Coated Visor - 5 per case
70071564341	M-928	Peel-Off Visor Covers - 40 per case
UU003029202	M-935	Standard Faceseal - 5 per case
UU008294835	M-936	Comfort Faceseal - 5 per case
70071564374	M-937	Flame resistant Faceseal - 5 per case
52000183096	M-953	Headband back part
UU003029772	M-956	Size reducing Comfort Pad - 10 per case
XA007705925	M-957	Forehead Comfort Pad - 20 per case
XA007705909	M-958	Chin Strap - 1 per case
70071564390	M-960	Visor Pivot Kit - 1 per case
UU003029434	M-972	Flame resistant head-top cover - 1 per case
UU006077661	M-973	Radiant Heat Cover for M-300
UU003029780	M-976	Head, Neck, Shoulder Cover - 1 per case
XA007702625	Z3AF/2	Peltor E Back Plate to attach Peltor earmuffs
UU008014308	MT7V/1	Dynamic Microphone (including helmet attachment)
UU008013581	MT53V/1	Electret Microphone (including helmet attachment Z3AF)

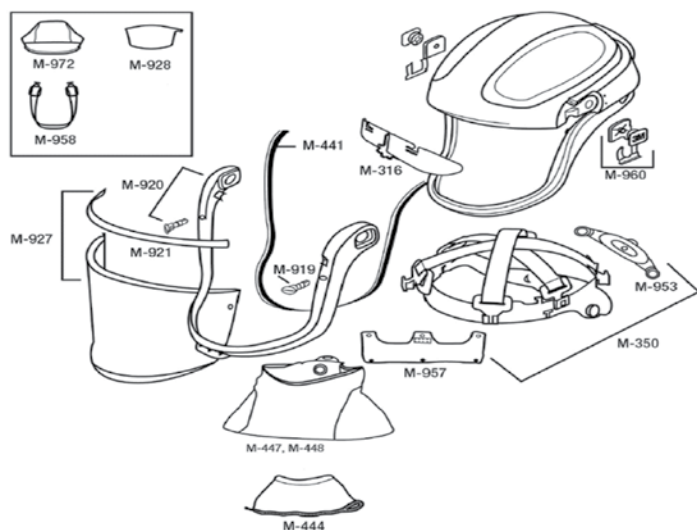
Versaflo™ S-Series Parts & Accessories

3M Order Code	Model #	Description
AT010582792	S-605	Replacement Hood for S-655 - 1 per box
AT010582800	S-607	Replacement Hood for S-657 - 1 per box
AT010582818	S-707	Replacement Hood for S-757 - 1 per box
70071533312	S-805	Replacement Hood for S-855 - 5 per box
AT010584301	S-920L	Visor Cover for Integrated Harness Hoods S-100, S-300, S-400 & S-500 Assemblies (L) - 10 per pack
AT010584319	S-920S	Visor Cover for Integrated Harness Hoods S-100, S-300, S-400 & S-500 Assemblies (S) - 10 per pack
AT010584327	S-922	Visor Cover for Reusable Harness Hoods S-600, S-700 & S-800 Assemblies - 10 per pack
70071533395	S-950	Premium Head Suspension for S-600, S-700 & S-800 Assemblies - 1 per case
52000046152	S-953	Comfort Pad for S-600, S-700 & S-800 Assemblies - 5 per bag



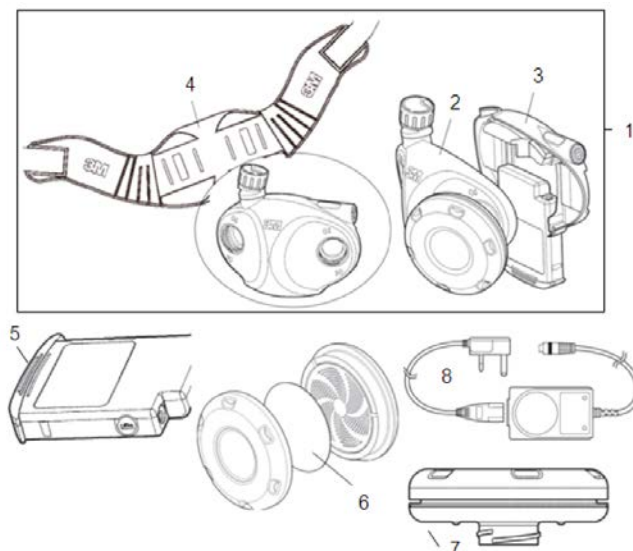
Parts & Accessories

Versaflo™ M-400 Common Accessories, Spares and Options



3M Order Code	Model #	Description
70071564218	M-316	Airflow deflector
70071564226	M-350	Helmet head suspension
UU003029475	M-441	Jaw Gasket
UU008294819	M-444	Inner collar
UU008294108	M-447	Versaflo Flam Resist Out Shroud
UU008294827	M-448	Versaflo High Durab Outshroud Eu 1 / Case
70071564309	M-919	Visor Frame Buttons - 10 per case
70071564317	M-920	Visor Frame Assembly - 1 per case
70071564325	M-921	Visor Gasket - 5 per case
UU003029442	M-927	Coated Visor - 5 per case
70071564341	M-928	Peel-Off Visor Covers - 40 per case
52000183096	M-953	Headband back part
UU003029772	M-956	Size reducing Comfort Pad - 10 per case
XA007705925	M-957	Forehead Comfort Pad - 20 per case
XA007705909	M-958	Chin Strap - 1 per case
70071564390	M-960	Visor Pivot Kit - 1 per case
UU006081887	M-967	Gold Over Visor UV/IR Shade 5
UU006081861	M-961	Over Visor Frame
UU003029434	M-972	Flame resistant head-top cover - 1 per case
UU006077679	M-975	Radiant Heat Cover for M-400

3M™ Jupiter™ Turbo System Accessories (Jupiter PAPR Discontinued, spares and components available until stock depleted. Filters available till December 2022)



3M Order Code	Model #	Description
AT010592726	902-01-79	Jupiter AFU with Battery (1)
XA007706071	085-01-00P	Blower Module (2)
XA007706253	085-06-10P	Control Module (3)
XA007706360	BLT-12	Decontamination Belt (4)
52000043803	007-00-64P	NIMH Battery Pack (5)
52000044579	085-12-00P	4 Hour IS Battery and IS Pouch Jupiter (5)
CR180804708	461-00-02P24	Pre Filter Discs - 24 per pack (6)
CR180806000	450-00-25	Particulate Filter - P3 PAPR (7)
CR180806018	453-00-25P	Organic Vapor & Particulate Filter - A1P3 (7)
CR180806042	453-09-25	Multigas & Particulate - A1B1E1K1P3 PAPR (7)
AT010596396	003-00-58PAUS	Battery Charger, CHG-02 (8)
70071533015	BT-20L	Fixed length lightweight Polyurethane Breathing Tube L=965mm
70071533023	BT-20S	Fixed length lightweight Polyurethane Breathing Tube L=735mm
XA007706584	BT-30	Self-adjustable Polyurethane Breathing Tube L=525-850mm
UU003085113	BT-40	Fixed length Heavy Duty Neoprene Breathing Tube L=840mm
AT019167745	022-25-10P4	Braces for Jupiter Belt System
UU008992123	CHG-04	Jupiter 10 Station Charger
XA007706618	BPK-01	Back Harness
XA007708028	021-14-12P	Jupiter™ Airflow Indicator
AT019202582	902-03-00	Jupiter™ IS Turbo Battery and Pouch



High heat accessories

3M Order Code	Model #	Description
UU006077661	M-973	Radiant Heat Cover for M-300
UU006077679	M-975	Radiant Heat Cover for M-400
UU006081861	M-961	Over Visor Frame
UU006081887	M-967	Gold Over Visor UV/IR (Shade 5)
UU006081895	BT-927	Radiant Breathing Tube Heat Cover



Parts & Accessories

Vortex Cooling Airline Belt System V-100 Parts and Accessories



V-115



V-199



V-111



902-02-18

3M Order Code	Model #	Description
AT019184244	902-02-18	Cooling Airline Kit with adjustable BT-30 Breathing Tube
AT019167983	902-01-77	Cooling Airline Regulator - Without Breathing Tube
70070799047	V-115	Vortex Spare Parts Kit which includes O-rings, washer, generator, screw, washer lock, foam pad and fastener
XA007707723	V-111	V-111 Vortex Muffler Kit
78812417836	V-199	V-199 Male Bayonet Adapter

Vortex Heating Airline Belt System V-200 Parts & Accessories



V-215



V-199



V-211



902-02-85

3M Order Code	Model #	Description
AT010589466	902-02-85	Heating Airline Kit with BT-30 Breathing Tube
70070799120	V-215	Vortex Spare Parts Kit which includes O-rings, washer, generator, screw, washer lock and cold muffler
70070799112	V-211	Vortemp Muffler Kit
78812417836	V-199	V-199 Male Bayonet Adapter

V-300 Air Regulating Valve Airline Kit Parts & Accessories



W-3036



V-199



V-211



902-01-78

3M Order Code	Model #	Description
AT019167991	902-01-78	V-300 Standard Airline Kit without Breathing Tube
AT019184236	902-02-17	V-300 Standard Airline Kit with BT-30 breathing tube
78804612014	W-3036	Air Regulating Valve Spare parts kit. Includes retaining ring screen, disc nut, o-rings, check valve and spring
70070799112	V-211	Vortemp Muffler Kit
78812417836	V-199	V-199 Male Bayonet Adapter

Parts & Accessories

3M™ Versaflo™ Supplied Air Respirator V-500E Parts & Accessories



3M Order Code	Model #	Description
XA007706675	V-500E	Supplied Air Regulator (Excludes breathing tube)
52000017831	023-05-51P5	Carbon Filter & O-Ring Kit (5 x Replacement Filters plus 10 x O-Rings) Note: Carbon filter recommended replacement 6 monthly
AT019184327	901-00-81	Airline Coupling, Male BSPT 1/4
XA007706592	TR-325	Std Waist Belt
XA007706691	TR-326	High Durability Leather Waist Belt
XA007706709	TR-327	Easy Clean Waist Belt

Airline Hose CEJN

CEJN Airline Breathing Hose to connect V-100, V-200, V-300 & V-500 to 3M Breathing Panels with CEJN connection



3M Order Code	Model #	Description
AT019185233	01-00-63	Breathing Hose 30m - CEJN
AT019165698	901-00-54	Breathing Hose 15m - CEJN
AT019165706	901-00-55	Breathing Hose 10m - CEJN
AT019165714	901-00-56	Breathing Hose 7.5m - CEJN

Stethoscope Airline Systems Full Facepiece Sets Parts



3M Order Code	Model #	Description
AT019167140	68SA2	Full Facepiece System - Medium Kit c/w 6000 series full face mask, SA-2500 stethoscope breathing tube, SA-1007 valve regulator & belt and 901-00-73 CEJN Male tail
AT019167157	69SA2	Full Facepiece System - Large Kit c/w 6000 series full face mask, SA-2500 stethoscope breathing tube, SA-1007 valve regulator & belt and 901-00-73 CEJN Male tail
70070613214	SA-2500	Stethoscope Breathing Tube
70070710119	SA-2600	Combination Dual Airline Breathing Kit
AT019166499	901-00-73	CEJN Male Tail with 1/4" NPTM
70070611606	SA-1007	Regulating Valve, belt & Clip
AT010589458	901-00-71	SA-2000 Dual Airline Kit complete with SA-2500 stethoscope breathing tube, CEJN Fitting and SA-1007 valve regulator
AT019202897	902-03-15	SA-2100 Combination Dual Airline Kit complete with SA-2600 stethoscope breathing tube, CEJN Fitting and SA-1007 valve regulator. Capability of fitting negative pressure filters

3M™ Scott Airline Hoses

For use with 3M Scott Breathing air filters, Flite COV, Modulair



3M Order Code	Model #	Description
XP100069127	1051463	10 Mtr Black PVC Hose With CEN Couplings
XP100069143	1051467	20 Mtr Black PVC Hose With CEN Couplings
XP100069168	1051471	30 Mtr Black PVC Hose With CEN Couplings
XP100069200	1051477	50 Mtr Black PVC Hose With CEN Couplings
AT010700477	RXMCT	Airline Fitting Female With Male Thread
XP100069234	1051482	10m Hose Airline Antistatic With Stripe With CEN Couplings
XP100069259	1051486	20m Hose Airline Antistatic With Stripe With CEN Couplings
XP100069267	1051488	30m Hose Airline Antistatic With Stripe With CEN Couplings
XP100069283	1051493	50m Hose Airline Antistatic With Stripe With CEN Couplings

Parts & Accessories

3 Person Outlet Panel

Recommended filter replacement schedule; Particulate Coalescing element 2 years or when pressure drop reached 0.1MPa, Carbon element 1. When a odour is noticed coming form the outlet side 2. Even if deodorisation performance is normal, the replacement interval for the element is when the pressure drop reaches 0.1MPa or after 2 years of operation, whichever comes first.

Note: More frequent filter change may be required based on usage



901-00-47

1 Person Outlet Panel

Recommended filter replacement schedule ; Particulate Coalescing element yearly or 8000 hours, whichever comes first. Carbon element 6 monthly

Note: More frequent filter change may be required based on usage



901-01-07

3M Order Code	Model #	Description
AT019184335	901-00-47	Air Panel with CEJN Fittings - 3 person
AT019165854	901-00-50	Particulate Coalescing Element
AT019165847	901-00-49	Carbon Element

3M Order Code	Model #	Description
AT019202772	901-01-07	Breathing Air Panel - 1 Fitting, 1 person
AT019202798	901-01-09	Coalescing Element
AT019202806	901-01-10	Carbon Element

3M™ Scott Airline Outlet Panel

For use with 3M Scott CEN Airline Hoses, Flite COV, Modulair. Recommended filter replacement every 12 months for Upper and lower filter or when oil odour is detected for lower filter.



3M Order Code	Model #	Description
XP100141231	2026771	AFU-2-MAN Two man airline filter unit
XP100141249	2026772	AFU-4-MAN Four man airline filter unit
AT010655424	KA009AA	Replacement lower filter for BA21BOPT (purchased prior Jun07)
AT010655416	KA006AC	Replacement upper filter for BA21BOPT (purchased prior Jun07)
AT010655432	KA010AA	Replacement lower filter for BA21BOPT (purchased after Jun07)
AT010655440	KA010AC	Replacement upper filter for BA21BOPT (purchased after Jun07)

Parts & Accessories

Supplied Air Breathing Tubes

Breathing tubes to connect the V-100, V200, V-300 & V-500 regulators to the S-Series and M-Series headtops and hoods.



BT-20 S/L



BT-30



BT-40



BT-922



BT-926

3M Order Code	Model #	Description
70071533015	BT-20L	Fixed length lightweight Polyurethane Breathing Tube L=965mm
70071533023	BT-20S	Fixed length lightweight Polyurethane Breathing Tube L=735mm
XA007706584	BT-30	Self-adjustable Polyurethane Breathing Tube L=525-850mm
UU003085113	BT-40	Fixed length Heavy Duty Neoprene Breathing Tube L=840mm
XA007706527	BT-922	Breathing Tube Cover Polyethylene Clear - 1 per case (18) Breathing tube not included
70071564432	BT-926	Flame Resistant Breathing Tube Cover - 1 per case



3M Australia Pty Ltd

Bld A, 1 Rivett Road
North Ryde, NSW 2113
TechAssist Helpline: 1800 024 464
Customer Services: 1300 363 565
Email: techassist@mmm.com
3M.com.au/ppesafety