

The Maxisafe logo features the word "maxisafe" in a white, lowercase, sans-serif font. The letter "x" is replaced by a red "X" symbol. A registered trademark symbol (®) is located at the end of the word. The logo is set against a dark blue background that features a faint, semi-transparent image of a respirator mask and a cylindrical filter. A large, bright yellow "X" graphic is positioned on the right side of the page, partially overlapping the respirator image.

maxisafe®

# Respiratory Protective Equipment

Catalogue 2020

[www.maxisafe.com.au](http://www.maxisafe.com.au)



CE 0194  
EN140:1998

P3R

CE 0194  
EN1452000

07/2021

SIS

# Contents

<b>6</b>	<b>Premium Respiratory Face Masks</b>
<b>7</b>	<b>Respirator Kits</b>
<b>11</b>	<b>Maxiguard Cartridge Filters</b>
<b>19</b>	<b>STS Respirator Kits</b>
<b>20</b>	<b>Gas &amp; Particle Filters</b>
<b>22</b>	<b>Seal Testers</b>
<b>22</b>	<b>Replacement Lens Covers</b>
<b>27</b>	<b>Premium Respiratory Protection Face Masks</b>
<b>33</b>	<b>Qualitative Fit Test Kit</b>
<b>34</b>	<b>Disposable Respiratory Face Masks</b>
<b>43</b>	<b>Respiratory Filter Selection Chart</b>
<b>49</b>	<b>Instructions</b>
<b>52</b>	<b>Parts List</b>
<b>55</b>	<b>Information</b>

# Means of Respiratory Protection

Personal protective equipment is divided into two main groups according to the source of air – air purifying or air supplying.

## Air purifying – negative pressure systems

### Disposable particulate (dust) respirators

Disposable particulate respirators are designed for protection against low concentrations of dust, mists, pollen, animal dust etc.

**Advantages:** Lightweight, disposable, relatively comfortable, and inexpensive.

**Limitations:** Minimal protection due to poor sealing properties. They cannot be used by personnel with facial hair which comes between the respirator and the skin.

### Re-usable half mask

Air purifying half masks have a rubber face sealing part which fits over the nose and under the chin. Exchangeable cartridges and filters are designed to provide protection against different types of air contaminants.

**Advantages:** Relatively lightweight and offer good protection against many contaminants.

**Limitations:** Use is limited by the type and capacity of the filters – neither can be used in areas with high concentrations of contaminants or in oxygen-deficient atmospheres. Breathing may become more difficult because of additional effort is needed to breathe through the filters. Eye protection is not provided. Although the proper and tight fitting is essential, many factors may affect mask tightness.

### Re-usable full face mask

Air purifying full face masks work on the same principle as the half-mask respirators described above. The facepiece extends protection around the entire face, covering the eyes, nose, chin and mouth.

**Advantages:** Full face respirators are used where a higher level of respiratory protection is needed or where eye and face protection is required.

**Limitations:** Full face masks are heavier than half-masks and often less comfortable for the wearer. Cannot be used for all types of air contaminants and are limited by the type and capacity of the filters and cartridges used. They cannot be used in oxygen-deficient atmospheres. Breathing may become more difficult because of additional effort is needed to breath through the filters.



## Air purifying – positive pressure system

### PAPR – powered air purifying respirators

The most advanced group of personal protective equipment provides high level of protection even for long lasting applications. Battery powered portable fan unit which drives the air through a particulate or chemical filter and blows it to the headtop. Full and half mask are available as well as wide variety of hoods and helmets.

**Advantages:** Major advantages are derived from the positive pressure provided by the fan forcing air into the headtop – hood or helmet. This eliminates difficulty in breathing provided by the negative pressure respirators and reduces the importance of a precise facial fit.

**Limitations:** Higher purchase price and maintenance. Use is limited by the life time of the battery and fan. Can not be used in oxygen deficiency environments.

---

## Air supplying systems

### Airline systems

These respirators provide clean, fresh air to the user from a stationary source such as a compressor or compressed air cylinder. Full face mask and half mask are available as well as wide variety of hoods and helmets.

**Advantages:** Airline respirators may be used for long periods and provide a high degree of protection from a variety of air contaminants. They provide minimal breathing resistance and discomfort, are light weight and are available at moderate initial cost and low operating costs.

**Limitations:** Unexpected loss of the air source terminates all protection to the user. Air must be delivered to the mask or hood through a hose which can be difficult to handle and may easily tangle or crimp.

These respirators can be used for protection from the most of all air contaminants.

### SCBA – Self contained breathing apparatus

SCBAs provide the user with clean air from a high pressure cylinder carried on the wearer's back. They are equipped with a full face piece and are operated in the pressure demand mode. SCBAs provide the maximum degree of protection available from airborne contaminants.

**Advantages:** Users carry their air supply with them allowing comparatively free movement over an unlimited area.

**Limitations:** SCBA units are expensive to purchase and maintain; require the wearer to carry heavy equipment on his back, and provide no more than 40 minutes of continuous use. Personnel with facial hair which comes between the respirator sealing surface and the wearer's face cannot use SCBA equipment.

# Premium Respiratory Face Masks

## Maxiguard Asbestos/Dust Silicone Half Mask

R7500G

### Features and Benefits

- Certified to AS/NZS 1716:2003
- Adjustable elastic harness threaded through the front cover of mask to ensure good stability and balance.
- Easy adjustment of strap length using the buckle on the back of the neck.
- Soft 100% silicone rubber for maximum comfort
- Bayonet mounted filters enables fast secure connection
- Available in medium and large size

### Applications

- Asbestos
- Silica dust
- Mining
- Welding
- Industrial
- Fibreglass

### Kit Contains

- 1 x R7500 Half Face Respirator
- 2 x R72000-P3 - P3 Carbon Particle filters



Product Code		Size	Pack Qty	Masks per Carton
R7500G-M	Silicone	Medium Mask	1	10
R7500G-L	Silicone	Large Mask	1	10
Replacement Filters				
R2000-P3C	P3 Carbon	Maxiguard P3 Carbon Particulate Filter - 1 pair	1 pair	10

## Maxiguard Painters Silicone Half Mask

R7500P

### Features and Benefits

- Certified to AS/NZS 1716:2003
- Adjustable elastic harness threaded through the front cover of mask to ensure good stability and balance.
- Easy adjustment of strap length using the buckle on the back of the neck.
- Soft 100% silicone rubber for maximum comfort
- Bayonet mounted filters enables fast secure connection
- Available in medium and large size
- A1 Gas Filters offer organic vapour protection suitable for organic solvents, paint thinners, lacquers and glues, degreasing and pesticide spraying.

### Applications

- Emergency Services
- Spray painting industry
- Handling animals
- Spraying pesticides
- Automotive and Fibreglass
- Agriculture industry

### Kit Contains

- 1 x R7500 Half Face Respirator
- 2 x R701 - A1 Gas Filters
- 2 x R7N11-P2 - P2 PreFilters



Product Code		Size	Pack Qty	Masks per Carton
R7500P-M	Silicone	Medium Mask	1	10
R7500P-L	Silicone	Large Mask	1	10
Replacement Filters				
R7N11-P2	P2 Prefilter		5	10
R510	Prefilter Holder		2	10
R701-A1	A1		2	10

# Maxiguard Chemical Silicone Half Mask

R7500C

### Features and Benefits

- Certified to AS/NZS 1716:2003
- Adjustable elastic harness threaded through the front cover of mask to ensure good stability and balance.
- Easy adjustment of strap length using the buckle on the back of the neck.
- Soft 100% silicone rubber for maximum comfort
- Bayonet mounted filters enables fast secure connection
- Available in medium and large size
- A1 Gas Filters offer organic vapour protection suitable for organic solvents, paint thinners, lacquers and glues, degreasing and pesticide spraying.

### Applications

- Chemical handling & manufacturing
- Spray painting
- Emergency services
- Handling animals
- Spraying pesticides
- Automotive and fibreglass industry
- Agriculture industry

### Kit Contains

- 1 x R7500 Half Face Respirator
- 2 x R703 - ABEK1 Gas Filters
- 2 x R7N11-P2 - P2 Prefilters



Product Code		Size	Pack Qty	Masks per Carton
R7500C-M	Silicone	Medium Mask	1	10
R7500C-L	Silicone	Large Mask	1	10
Replacement Filters				
R7N11-P2	P2 Prefilter		5	10
R510	Prefilter Holder		2	10
R703-ABEK1	ABEK1 Gas Cartridge		2	10

# Maxiguard Silicone Half Mask - General Purpose Kit

R7500GK

### Features and Benefits

- Certified to AS/NZS 1716:2003
- Adjustable elastic harness threaded through the front cover of mask to ensure good stability and balance.
- Easy adjustment of strap length using the buckle on the back of the neck.
- Soft 100% silicone rubber for maximum comfort
- Bayonet mounted filters enables fast secure connection
- Available in medium and large size

### Applications

- Asbestos
- Silica dust
- Mining
- Welding
- Industrial
- Fibreglass

### Kit Contains

- 1 x R7500 Half Face Respirator
- 2 x R 2000-P3C - P3 Carbon Particle filters
- 3 x Hygiene Alcohol Wipes for cleaning mask
- Re-usable, Sealable & Food-Grade container for storage



Product Code		Size	Pack Qty	Masks per Carton
R7500GK-M (Boxed Kit)	Silicone	Medium Mask	1	10
R7500GK-L (Boxed Kit)	Silicone	Large Mask	1	10
Replacement Filters				
R2000-P3C	P3 Carbon	Maxiguard P3 Carbon Particulate Filter - 1 pair	1 pair	10

# Premium Respiratory Face Masks

## Maxiguard Silicone Half Mask - Painters Kit

R7500PK

### Features and Benefits

- Certified to AS/NZS 1716:2003
- Adjustable elastic harness threaded through the front cover of mask to ensure good stability and balance.
- Easy adjustment of strap length using the buckle on the back of the neck.
- Soft 100% silicone rubber for maximum comfort
- Bayonet mounted filters enables fast secure connection
- Available in medium and large size
- A1 Gas Filters offer organic vapour protection suitable for organic solvents, paint thinners, lacquers and glues, degreasing and pesticide spraying.

### Applications

- Emergency Services
- Spray painting industry
- Handling animals
- Spraying pesticides
- Automotive & Fibreglass
- Agriculture industry

### Kit Contains

- 1 x R7500 Half Face Respirator
- 2 x R701 - A1 Gas Filters
- 2 x R7N11-P2 - P2 PreFilters
- 3 x Hygiene Alcohol Wipes for cleaning mask
- Re-usable, Sealable and Food-Grade container for storage



Product Code		Size	Pack Qty	Masks per Carton
R7500PK-M (Boxed Kit)	Silicone	Medium Mask	1	10
R7500PK-L (Boxed Kit)	Silicone	Large Mask	1	10
Replacement Filters				
R7N11-P2	P2 Prefilter		5	10
R510	Prefilter Holder		2	10
R701-A1	A1		2	10

## Maxiguard Silicone Half Mask - Chemical Kit

R7500CK

### Features and Benefits

- Certified to AS/NZS 1716:2003
- Adjustable elastic harness threaded through the front cover of mask to ensure good stability and balance.
- Easy adjustment of strap length using the buckle on the back of the neck.
- Soft 100% silicone rubber for maximum comfort
- Bayonet mounted filters enables fast secure connection
- Available in medium and large size

### Applications

- Chemical handling & manufacturing
- Spray painting
- Emergency services
- Handling animals
- Spraying pesticides
- Automotive and fibreglass industry
- Agriculture industry

### Kit Contains

- 1 x R7500 Half Face Respirator
- 2 x R703 - ABEK1 Gas Filters
- 2 x R7N11-P2 - P2 PreFilters
- 3 x Hygiene Alcohol Wipes for cleaning mask
- Re-usable, Sealable & Food-Grade container for storage



Product Code		Size	Pack Qty	Masks per Carton
R7500CK-M (Boxed Kit)	Silicone	Medium Mask	1	10
R7500CK-L (Boxed Kit)	Silicone	Large Mask	1	10
Replacement Filters				
R7N11-P2	P2 Prefilter		5	10
R510	Prefilter Holder		2	10
R703-ABEK1	ABEK1 Gas Cartridge		2	30
R703-ABEK1P2	ABEK1 Gas & P2 Filter Combo		1	30



## Maxiguard Full Face Silicone Respirator

R690  
R680



Easy to Adjust Harness

Premium Silicon Mask for Comfort

Wide Anti Fog View Visor

Exhalation Valve

Bayonet Fitting for Filters

### Features and Benefits

- Low-maintenance silicone respirator
- Lightweight, well-balanced design
- Easy to wear, fully adjustable harness
- Twin A1P2 filter design provides lower breathing resistance
- Wide field of vision with scratch and chemical resistant polycarbonate lens
- Replacement tear-off lens covers available
- Simple, secure bayonet filter attachment system
- Certified to AS/NZS 1716:2012

### Applications

- Chemical handling and manufacturing
- Spray painting
- Emergency services
- Handling animals
- Spraying pesticides
- Automotive and fibreglass industry
- Agriculture industry
- Petrochemical industry
- Asbestos removal industry
- Smelter plants

Product Code		Size	Pack Qty	Masks per Carton
R690-L	Silicone	Large Mask	1	10
R680-M	Silicone	Medium Mask	1	10
Replacement Lens				
R680PLC-100	Lens Cover		10	100



# Premium Respiratory Face Masks

## Maxiguard Full Face Silicone Respirator - Painters Kit

R690P  
R680P

Wide Anti Fog View Visor

Easy to Adjust Harness

Exhalation Valve

Replaceable Filter Cartridges



### Features and Benefits

- Low-maintenance silicone respirator
- Lightweight, well-balanced design
- Easy to wear, fully adjustable harness
- Twin A1P2 filter design provides lower breathing resistance
- Wide field of vision with scratch and chemical resistant polycarbonate lens
- Replacement tear-off lens covers available
- Simple, secure bayonet filter attachment system
- Certified to AS/NZS 1716:2012

### Complete Kit Includes

- Adjustable half mask
- R701 - A1 replaceable gas filters
- R7N11 - P2 replaceable pre-filters
- R510 - Prefilter Holder
- R680PLC-100 - Lens Cover

Not suitable for protection against 2 pack paint containing isocyanates

### Applications

- Chemical handling and manufacturing
- Spray painting
- Emergency services
- Handling animals
- Spraying pesticides
- Automotive and fibreglass industry
- Agriculture industry
- Petrochemical industry
- Asbestos removal industry
- Smelter plants

Product Code		Size	Pack Qty	Masks per Carton
R690P-L	Silicone	Large Mask	1	10
R680P-M	Silicone	Medium Mask	1	10
Replacement Filters & Lens				
R7N11-P2	P2 Prefilter		5	10
R510	Prefilter Holder		2	10
R701-A1	A1		2	10
R680PLC-100	Lens Cover		10	100





## Maxiguard A1 Organic Vapour Cartridge

R701-A1

### Features and Benefits

- Suitable for use with
  - R7500 MaxiGuard Silicone Half Mask
  - R680 & R690 MaxiGuard Silicone Half Mask
- Certified to AS/NZS 1716.
- Certified to EN4387:2000 A1
- Bayonet Connector ensures secure locking
- Low profile twin filter design
- Organic gas filter class A1
- Used against vapour from organic substances whose boiling point exceeds +65°C (150F)
- Plastic polypropylene. No metal parts
- If environment contains both particles and gas, a particle filter must be fitted to the front of the gas filter
- Packaged as 1 pair of filters
- Prefilter Code: R7N11-P2

### Applications

- Common Hazards: For protection when working with solvents and formaldehyde
- Chemical Processing
- Healthcare
- Asbestos removal
- Plastic production
- Laboratory work
- Painting waterbase or oilbase paints



Product Code	Rating	Pack Qty	Filters per Carton
R701-A1	A1	1 pair	30 pairs

## Maxiguard ABEK1 Chemical Cartridge

R703-ABEK1

### Features and Benefits

- Suitable for use with
  - R7500 MaxiGuard Silicone Half Mask
  - R680 & R690 MaxiGuard Silicone Half Mask
- Certified to AS/NZS 1716.
- Certified to EN4387:2000 A1
- Bayonet Connector ensures secure locking
- Low profile twin filter design
- Organic gas filter class A1
- Used against vapour from organic substances whose boiling point exceeds +65°C (150F)
- Plastic polypropylene. No metal parts
- If environment contains both particles and gas, a particle filter must be fitted to the front of the gas filter
- Packaged as 1 pair of filters
- Prefilter Code: R7N11-P2

### Applications

Common Hazards: For protection when working with a variety of chemicals such as organic vapours, chlorine, hydrogen chloride, sulphur dioxide, hydrogen fluoride, hydrogen sulphide, ammonia, methylamine, and formaldehyde



Product Code	Rating	Pack Qty	Filters per Carton
R703-ABEK1	ABEK1	1 pair	30 pairs

## Maxiguard ABEK1P2 Chemical Cartridge with P2 Prefilter Combination

R703-ABEK1P2

### Features and Benefits

- Suitable for use with
  - R7500 MaxiGuard Silicone Half Mask
  - R680 & R690 MaxiGuard Silicone Half Mask
- Certified to AS/NZS 1716.
- Certified to EN4387:2000 ABEK1
- Bayonet Connector ensures secure locking
- Low profile twin filter design
- Organic gas filter class A1
- Used against vapour from organic substances whose boiling point exceeds +65°C (150F)
- Plastic polypropylene. No metal parts
- If environment contains both particles and gas, a particle filter must be fitted to the front of the gas filter
- Packaged as 1 pair of filters
- Prefilter Code: R7N11-P2

### Applications

Common Hazards: For protection when working with a variety of chemicals such as organic vapours, chlorine, hydrogen chloride, sulphur dioxide, hydrogen fluoride, hydrogen sulphide, ammonia, methylamine, and formaldehyde also for protection against toxic particulates



Product Code	Rating	Pack Qty	Filters per Carton
R703-ABEK1P2	ABEK1P2	1 pair	30 pairs

## Maxiguard A1P2 Organic Vapour Cartridge Combo

R701-A1P2

### Features and Benefits

- Suitable for use with
  - R7500 MaxiGuard Silicone Half Mask
  - R680 & R690 MaxiGuard Silicone Half Mask
- Certified to AS/NZS 1716.
- Certified to EN4387:2000 ABEK1
- Bayonet Connector ensures secure locking
- Low profile twin filter design
- Organic gas filter class A1
- Used against vapour from organic substances whose boiling point exceeds +65°C (150F)
- Plastic polypropylene. No metal parts
- If environment contains both particles and gas, a particle filter must be fitted to the front of the gas filter
- Packaged as 1 pair of filters
- Prefilter Code: R7N11-P2

### Applications

- Common Hazards: For protection when working with solvents and formaldehyde
- Chemical Processing
- Healthcare
- Asbestos removal
- Plastic production
- Laboratory work
- Painting waterbase or oilbase paints



Product Code	Rating	Pack Qty	Filters per Carton
R701-A1P2	A1P21	1 pair	30 pairs

# Maxiguard P2 Particulate Filter

R7N11-P2

### Features and Benefits

- For use with Maxiguard half and full face respirators
- Provides protection against mechanically thermally generated particles
- Prefilter pads to suit Maxiguard gas filter cartridges
- Pack of 10

### Applications

- Silica dust
- Mining
- Welding
- Industrial
- Fibreglass



Product Code	Rating	Pack Qty	Filters per Carton
R7N11-P2	P2	5 pair	30 pairs

# Maxiguard Prefilter Holder

R510

### Features and Benefits

- For use with Maxiguard half and full face respirators
- Retains prefilter pads in position
- Easy snap-on action
- Pack of 2



Product Code	Pack Qty	Holders per Carton
R510	1 pair	10 pairs

# Maxiguard P3 Carbon Particulate Filter

R2000-P3C

### Features and Benefits

- Certified to AS/NZS 1716
- Certified to EN4387:2000 P3 Carbon Particulate Filter
- Lightweight and provides low breathing resistance
- Suitable for use with MaxiGuard R7500 Half Face Respirators & R690 Full Face Respirators
- Use this filter for protection against toxic dust, lead, asbestos and organic vapors, welding fumes and polishing and grinding particles
- Packaged: 1 pair of filters

### Applications

- Asbestos
- Silica dust
- Mining
- Welding
- Industrial
- Fibreglass



Filter back



Product Code	Rating	Pack Qty	Filters per Carton
R2000-P3C	P3	1 pair	30 pairs

# Premium Respiratory Face Masks



## Full Face Respirator – Silicone

**RCX01**

Developed by a R&D team with nearly 100 years experience in the respiratory protection equipment industry. The Sole purpose - to provide users a mask with the highest quality while simple to use.



**6-Point Head Harness**

**Broad View Visor**

**Twin-Double-Cushion**

**Twist Lock**

**Speech Diaphragm**

Note: Mask only, filters available separately

### Features and Benefits

- Certified to AS/NZ 1716
- Certified to EN136:1998 Class 2
- The Maxisafe Professional Twin Full Face Respirator provides outstanding protection and comfort against a wide range of respiratory hazards. The lightweight and ergonomically designed respirator is ideal for many industrial applications.
- Wide View lens design also offers a broad field of vision along with Anti-Fog and Anti-Scratch coatings as added benefits.
- Featuring a unique speech diaphragm for outstanding speech transmission.
- 6 point harness design provides added comfort during extended wear times.
- Twin Double-Cushion seal offers secure fit to various facial contours.
- Ultra lightweight design – only 610 grams (without filters).
- Soft pliable Silicone facepiece for comfort
- Slim-line design allows easy integration with helmets and earmuffs.
- 5 point adjustable harness with quick release buckles for quick donning.
- Available in sizes Medium, Large
- Made in Japan

### Applications

- Emergency Services
- Spray painting industry's
- Petrochemical industry
- Asbestos removal industry
- Smelter plants
- Automotive industry
- Fibreglass industry
- Agriculture industry

Product Code	Rating	Description	Pack Qty	Masks per Carton
RCX01-M	Class 2 Silicone	Medium STS Full Face Respirator Mask - Silicone	1	10
RCX01-L	Class 2 Silicone	Large STS Full Face Respirator Mask - Silicone	1	10



AS/NZS 1716:2012  
Lic. BMP 714634





# Full Face Respirator - TPE

RCF01

Light, low breathing resistance and affordable. RCF01 full face mask is the only user-friendly and wallet-friendly choice in the market.



6-Point Head Harness

Optimised Shape

3D Curve Visor

Twist Lock

Speech Diaphragm

ULTRA Lightweight 335g

### Features and Benefits

- Certified to AS/NZ 1716 and Certified to EN136:1998 Class 1
- The Maxisafe Professional Twin Full Face Respirator provides outstanding protection and comfort against a wide range of respiratory hazards. The lightweight and ergonomically designed respirator is ideal for many industrial applications.
- Featuring a unique speech diaphragm for outstanding speech transmission.
- 6 point harness design provides added comfort during extended wear times.
- Twin Double-Cushion seal offers secure fit to various facial contours.
- Superior design techniques eliminates distortion providing clear visibility.
- Ultra lightweight design – only 335grams!! (without filters).
- Soft pliable TPE (Thermo Plastic Elastomer) facepiece for comfort – 100% metal free.
- Slim-line design allows easy integration with helmets and earmuffs.
- 5 point adjustable harness with quick release buckles for quick donning.
- Spherical Lens Eyepiece offers a broad field of vision along with Anti-Fog and Anti-Scratch coatings as added benefits.
- Available in sizes Medium, Large.

### Applications

- Emergency Services
- Spray painting industry's
- Petrochemical industry
- Asbestos removal industry
- Smelter plants
- Automotive industry
- Fibreglass industry
- Agriculture industry

Product Code	Rating	Description	Pack Qty	Masks per Carton
RCF01-M	Class 2 TPE	Medium STS Full Face Respirator Mask - TPE	1	10
RCF01-L	Class 2 TPE	Large STS Full Face Respirator Mask - TPE	1	10



AS/NZS 1716:2012  
Lic. BMP 714634

# Premium Respiratory Face Masks



## Full Face Respirator and DIN Thread Filter Canisters

RCF02

6-Point Head Harness

3D Curve Visor

### Features and Benefits

- Lightweight 435g, full face mask suitable for demanding conditions
- High quality Styrene TPE mask body guarantees high chemical resistance
- Superior, spherical visor eliminates distortion and offers broad view
- Anti-scratch visor also with replaceable protection cover
- Two exhalation valves provide low breathing resistance
- 6-point harness with non-sticky surface prevents hair entanglement
- Suits a range of PAPR systems and DIN thread Gas Filters for Organic Vapours, Inorganic Gases, Acid Gases, Ammonium Compounds, Mercury and Particulates.

### Applications

- Chemical Handling
- Asbestos Handling
- Spray Painting
- Agriculture
- Pharmaceutical
- Recycling
- Cleaning



Two Exhalation Valves

DIN Thread Filter Canisters

Product Code	Description	Pack Qty	Masks per Carton
RCF02	Full Face Respirator	1	10
RP3CF	P3 Particle filter	1	3
RAIP3	A1P3 Combined filter	1	3
RA2P3	A2P3 Combined filter	1	3
RABEK2P3	A2B2E2K2P3 Combined filter	1	3
RABEK2HgP3	A2B2E2K2HgP3 Combined filter	1	3
RCF02-VC	Visor Protection Cover	1	10





# Half Face Respirator - TPE

## RRS01

Designed to prevent uncomfortable sticky surface to users face even under heavy sweat conditions and only 110g without filters.

**Lightweight – 140g**

**4 Point Drop Down Harness Design**

**Unique Low Profile Design**



### Features and Benefits

- Certified to AS/NZ 1716
- The Maxisafe RS01 Half Face Respirator is suitable for everyday tasks in the workplace, combining comfort, protection and low maintenance costs.
- One of the lightest face pieces on the market – only 110 Grams! With particle filters P3R attached, still weighing only 150 Grams!
- Made from TPE material (Thermo Plastic Elastomer) to prevent uncomfortable sticky surface on the facial skin, even under heavy sweat conditions.
- Large diameter valves create low breathing resistance and reduce wearer fatigue.
- Bayonet Filter mechanism enables fast, secure connection of filters.
- Slim Shape - exhalation and inhalation valve mechanisms are both embedded in the face piece.
- The adjustable elastic harness is threaded through the front cover of mask to ensure good stability and balance.
- Easy adjustment of strap length – just fasten the buckle on the back of the neck.
- Available in sizes Medium, Large.

### Applications

- Emergency Services
- Spraying pesticides
- Agriculture industry
- Spray painting industry's
- Automotive and Fibreglass industry
- Handling animals

Product Code		Description	Pack Qty	Masks per Carton
RRS01-M	TPE	Medium STS Half Face Respirator – TPE	1	10
RRS01-L	TPE	Large STS Half Face Respirator – TPE	1	10



AS/NZS 1716:2012  
Lic. BMP 714634

# Premium Respiratory Face Masks



## Half Face Respirator - Silicone

RRX01

Soft 100% silicone rubber for more comfort, protection and low maintenance cost for professional tradesmen

Speech Diaphragm

4 Point Drop Down Harness Design

Metal Free

Exhalation Valve

Bayonet Mount



### Features and Benefits

- Certified to AS/NZ 1716
- The Maxisafe RRX01 Half Face Respirator is for the professional tradesman, combining comfort, protection and low maintenance costs.
- Only 180 Grams in weight (Size M, without filters).
- Made from 100% Silicone for maximum comfort.
- Large diameter valves create low breathing resistance and reduce wearer fatigue.
- Bayonet Filter mechanism enables fast, secure connection of filters.
- Slim Shape - exhalation and inhalation valve mechanisms are both embedded in the face piece.
- The adjustable elastic harness is threaded through the front cover of mask to ensure good stability and balance.
- Easy adjustment of strap length – just fasten the buckle on the back of the neck.
- Available in sizes Medium, Large.
- Agriculture industry

### Applications

- Emergency Services
- Spraying pesticides
- Spray painting industry's
- Automotive and Fibreglass industry
- Handling animals

Product Code		Description	Pack Qty	Masks per Carton
RRX01-M	Silicone	Medium STS Half Face Respirator – Silicone	1	10
RRX01-L	Silicone	Large STS Half Face Respirator – Silicone	1	10



AS/NZS 1716:2012  
Lic. BMP 714634



# Respirator Kits

Maxisafe's cost efficient respirator kits come complete with half face respirator and a pair of filters conveniently packed in a resealable storage container, providing protection for the respirator and filters.



## TPE Half Mask General Purpose Particulate Kit

RRS01WK



AS/NZS 1716:2012  
Lic. BMP 714634

Product Code	Size	Description	Pack Qty	Boxes per Carton
RRS01WK-M	M	TPE Half Mask General Purpose Particulate Kit	1	6
RRS01WK-L	L	TPE Half Mask General Purpose Particulate Kit	1	6

### Features and Benefits

- 1 x RS01 Med Half Face Respirator
- 2 x P3R Particle Filters • 3 x Hygiene Alcohol Wipes
- Re-usable, Sealable & Food-Grade container for storage

## TPE Half Mask Painter's Kit

RRS01PK



AS/NZS 1716:2012  
Lic. BMP 714634

Product Code	Size	Description	Pack Qty	Boxes per Carton
RRS01PK-M	M	TPE Half Mask Painter's Kit	1	6
RRS01PK-L	L	TPE Half Mask Painter's Kit	1	6

### Features and Benefits

- 1 x RS01 Med Half Face Respirator • 2 x A2 Gas Filters
- 2 x P2RC Particle Filter with Retainer Cap
- 3 x Hygiene Alcohol Wipes for cleaning mask
- Re-usable, Sealable & Food-Grade container for storage
- Not suitable for protection against 2 pack paint containing isocyanates

## TPE Half Mask Chemical Kit

RRS01CK



AS/NZS 1716:2012  
Lic. BMP 714634

Product Code	Size	Description	Pack Qty	Boxes per Carton
RRS01CK-M	M	TPE Half Mask Chemical Kit	1	6
RRS01CK-L	L	TPE Half Mask Chemical Kit	1	6

### Features and Benefits

- 1 x RS01 Med Half Face Respirator • 2 x ABEK1 Gas Filter Cartridges • 2 x P2RC Particle Filter with Retainer Cap
- 3 x Hygiene Alcohol Wipes for cleaning mask
- Re-usable, Sealable & Food-Grade container for storage

## Silicone Half Mask General Purpose Particulate Kit

RRX01WK



AS/NZS 1716:2012  
Lic. BMP 714634

Product Code	Size	Description	Pack Qty	Boxes per Carton
RRX01WK-M	M	Silicone Half Mask General Purpose Particulate Kit	1	6
RRX01WK-L	L	Silicone Half Mask General Purpose Particulate Kit	1	6

### Features and Benefits

- 1 x RX01 Med Half Face Respirator
- 2 x P3R Particle Filters • 3 x Hygiene Alcohol Wipes
- Re-usable, Sealable & Food-Grade container for storage

## Silicone Half Mask Painter's Kit

RRX01PK



AS/NZS 1716:2012  
Lic. BMP 714634

Product Code	Size	Description	Pack Qty	Boxes per Carton
RRX01PK-M	M	Silicone Half Mask Painter's Kit	1	6
RRX01PK-L	L	Silicone Half Mask Painter's Kit	1	6

### Features and Benefits

- 1 x RX01 Med Half Face Respirator • 2 x A2 Gas Filters
- 2 x P2RC Particle Filter with Retainer Cap
- 3 x Hygiene Alcohol Wipes for cleaning mask
- Re-usable, Sealable & Food-Grade container for storage
- Not suitable for protection against 2 pack paint containing isocyanates

## Silicone Half Mask Chemical Kit

RRX01CK



AS/NZS 1716:2012  
Lic. BMP 714634

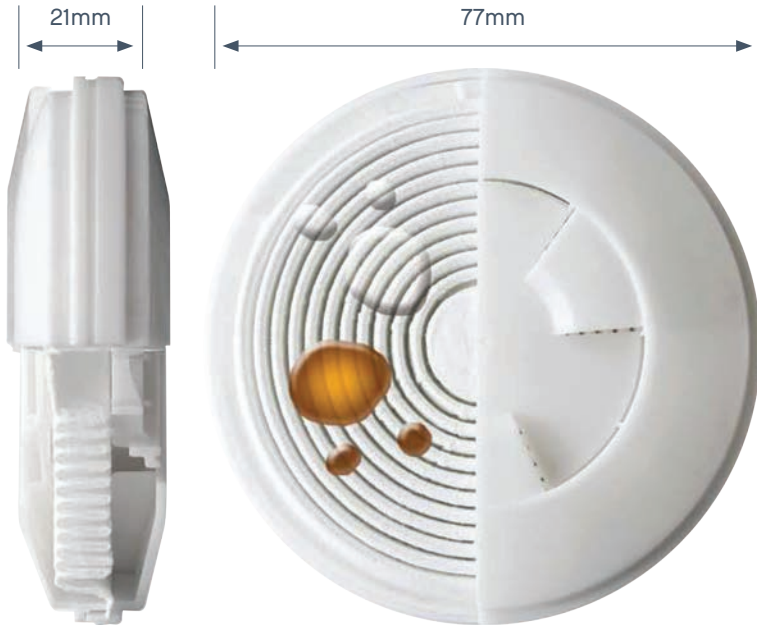
Product Code	Size	Description	Pack Qty	Boxes per Carton
RRX01CK-M	M	Silicone Half Mask Chemical Kit	1	6
RRX01CK-L	L	Silicone Half Mask Chemical Kit	1	6

### Features and Benefits

- 1 x RX01 Med Half Face Respirator • 2 x ABEK1 Gas Filter Cartridges • 2 x P2RC Particle Filter with Retainer Cap
- 3 x Hygiene Alcohol Wipes for cleaning mask
- Re-usable, Sealable & Food-Grade container for storage

## Water and Oil Repellent Effects

Prevent penetration from solid or liquid particulates!



## Particle Filters

	<b>RP3R</b> EN143:2000 P3	Colour Code	<input type="text"/>
Dimensions	Dia 77mm	Height 21mm	Weight Approx 20g
	<b>RP2R</b> EN143:2000 P2	Colour Code	<input type="text"/>
Dimensions	Dia 77mm	Height 21mm	Weight Approx 20g



## Combined Filters



Attach P3RC/P2RC to gas filters if atmospheric contaminants contain gases and mixed solid or liquid particulates.

## Gas Filters

	<b>RCA-A1</b> EN14387:2000 A1	Colour Code			<b>RCA-K1</b> EN14387:2000 K1	Colour Code			<b>RCA-AX</b> EN14387:2000 AX	Colour Code	
Dimensions	Dia 82mm	Height 24mm	Weight Approx 47g	Dimensions	Dia 82mm	Height 34mm	Weight Approx 101g	Dimensions	Dia 82mm	Height 34mm	Weight Approx 118g
	<b>RCA-A2</b> EN14387:2000 A2	Colour Code			<b>RCA-ABEK1</b> EN14387:2000 ABEK1	Colour Code					
Dimensions	Dia 82mm	Height 34mm	Weight Approx 69g	Dimensions	Dia 82mm	Height 34mm	Weight Approx 86g				

\*\*+\*\* shows the additional height when P3RC/P2RC is attached to each gas filter



AS/NZS 1716:2012  
Lic. BMP 714634



## A1 Gas Filter

RCA-A1



AS/NZS 1716:2012  
Lic. BMP 714634

Product Code	Rating	Protection	Pack Qty	Filters per Carton
RCA-A1	A1	Gas Filter	1	20

## A2 Gas Filter

RCA-A2



AS/NZS 1716:2012  
Lic. BMP 714634

Product Code	Rating	Protection	Pack Qty	Filters per Carton
RCA-A2	A2	Gas Filter	1	20

## K1 Gas Filter

RCA-K1



AS/NZS 1716:2012  
Lic. BMP 714634

Product Code	Rating	Protection	Pack Qty	Filters per Carton
RCA-K1	K1	Gas Filter	1	20

## ABEK Gas Filter

RCA-ABEK1



AS/NZS 1716:2012  
Lic. BMP 714634

Product Code	Rating	Protection	Pack Qty	Filters per Carton
RCA-ABEK1	ABEK1	Gas filter	1	20

## AX Gas Filter

RCA-AX



AS/NZS 1716:2012  
Lic. BMP 714634

Product Code	Rating	Protection	Pack Qty	Filters per Carton
RCA-AX	AX	Gas filter	1	20

## P2 Particle Filter

RP2R



AS/NZS 1716:2012  
Lic. BMP 714634

Product Code	Rating	Protection	Pack Qty	Filters per Carton
RP2R	P2	Particle Filter	1	20

## P3 Particle Filter

RP3R



AS/NZS 1716:2012  
Lic. BMP 714634

Product Code	Rating	Protection	Pack Qty	Filters per Carton
RP3R	P3	Particle Filter	1	20

## P3 Combined Particle Filter and Retainer Cap

RP3RC



AS/NZS 1716:2012  
Lic. BMP 714634

Product Code	Rating	Protection	Pack Qty	Filters per Carton
RP3RC	P3	Particle Filter	1	28

## P2 Combined Particle Filter and Retainer Cap

RP2RC



AS/NZS 1716:2012  
Lic. BMP 714634

Product Code	Rating	Protection	Pack Qty	Filters per Carton
RP2RC	P2	Particle Filter	1	28

## Small Seal Tester for Particle Filters

R15



**Step 1 -**  
Pinch the tube of  
fitness checker

**Step 2 -** Inhale  
to make sure  
no air is leaking  
between face  
and respirator

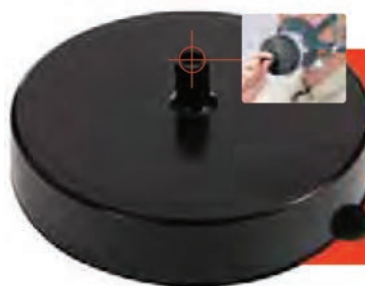
Product Code	Size	Description	Pack Qty	Testers per Carton
R15	Small		1	10

### Features and Benefits

- Used for 'fitment testing' on half and full face respirators
- Use only when testing Particle Filters
- When wearing the respirator, fit tester over the particle filter and inhale
- If 'leakage' occurs around mask it is not fitted properly

## Large Seal Tester for Gas Filters

R10



**Step 1 -**  
Pinch the tube of  
fitness checker

**Step 2 -** Inhale  
to make sure  
no air is leaking  
between face  
and respirator

Product Code	Size	Description	Pack Qty	Testers per Carton
R10	Large		1	10

### Features and Benefits

- Used for 'fitment testing' on half and full face respirators
- Use only when testing Gas Filters
- When wearing the respirator, fit tester over the gas filter and inhale
- If 'leakage' occurs around mask it is not fitted properly

## Replacement Lens Cover for RCF01 Respirator

RCF01-CG



Product Code	Description	Pack Qty	Covers per Carton
RCF01-CG	Replacement Lens	1	10

## Replacement Lens Cover for RCX01 Respirator

RCX01-PF



Product Code	Description	Pack Qty	Covers per Carton
RCF01-CG	Replacement Lens	1	10

## Replacement Lens Cover for R690 & R680 Respirators

R680PLC-100



Product Code	Description	Pack Qty	Covers per Carton
R680PLC-100	Clear Replacement Lens	10	100

## STS Fit Test Adaptor for RCX01, RCF01 and RRX01 Respirators

RFTA



Product Code	Description	Pack Qty
RFTA	STS Fit Test Adaptor	1





## PAPR Full Face Respirator – Powered

RSYNCO1VP3-L

The air supply automatically starts simply by wearing the mask and beginning to breathe! The air supply then automatically stops 5 seconds after taking the headpiece off.

### Flashes

### Particle Filter

### Automatic Breathing Function

- To supply the optimum amount of air, the internal pressure in the face piece is constantly monitored so that the fan motor speed automatically adjusts itself according to the rate of breathing!
- Inhalation: The fan speed increases according to the inhalation amount so that the supply of air is only what is required by the user, this allows the user to breath easily and comfortably.
- Exhalation: the fan speed decreases according to the exhalation amount to reduce wasteful air supply during exhalation, which alleviates any oppressive feeling during exhalation.

### Built-In Battery

- No battery cables making donning and functionality very easy.
- U-shaped battery pack is specifically designed to be compact and light.
- Includes recharging station.

Product Code	Rating	Description	Pack Qty	Items per Carton
RSYNCO1	Clear	Full Face PAPR Respirator	1	5
RVABE1P3	ABE1P3	Combined Multi-purpose gas filter	1	10
RVA1P3	A1P3	Combined Gas filter for organic gasses & vapours	1	10
RVP3	P3	Particle Filter		
BA-L2H-E		Battery	1	
CH-L2HAC		Battery charger	1	



### Automatic ON/OFF Function

- The air supply automatically starts simply by wearing the mask and beginning to breathe! The air supply then automatically stops 5 seconds after taking the headpiece off.
- This allows workers to concentrate on their work with out the hassle of switching on and off.

### Filter Replacement Indicator

- When the breathing monitor continues to monitor a negative pressure inside the face piece, the filter replacement indicator LED will begin to flash.

### Applications

- Asbestos Removal
- Building Industry
- Remediation Operations
- AS/NZS 1716:2012
- IP65 Rated



AS/NZS 1716:2012  
Lic. BMP 714634

# Premium Respiratory Face Masks

**CleanAIR®**

## Pressure For Mask

RCP516

The CleanAIR® Pressure for Mask is a comfortable and versatile, highly effective constant flow airline system for use with the full face GX02 mask. The unique filter back up feature allows the user to keep breathing normally through the passive particle or combined filter in case of a sudden failure of air supply. In combination with the GX02 full face mask and threaded P3 filter, the CleanAIR® Pressure For Mask offers the highest level of protection for working in particularly toxic environments for a long period.



**6-Point Head Harness**

**Anti-Fog Lens  
Wide Vision Range**

### Compressed Air Regulator for Mounting on Belt

#### Features and Benefits

- Lightweight and comfortable
- High levels of airflow 160–250 lpm
- Nominal protection factor 2000
- Filter back up feature
- Compatible with particle and combined filters
- Decontaminable by shower
- Low Pressure warning signal

#### Applications

- Toxic environments
- Operations demanding a long wearing period
- Dusty industrial environments
- Construction
- Food processing industry
- Closed tanks, tunnels



Product Code	Description	Pack Qty	Items per Carton
RGX02	CleanAIR® Pressure Kit (Inc. Regulator & Hose)	1	5
RGX02P	Belt Mounted Regulator & Hose Kit	1	5

CleanAIR®

# Lightweight Full Face PAPP

RPA531

RPA531 is a lightweight full face mask suitable to the demanding chemical conditions. The mask can be used with a wide range of standard canister filters and powered air purifying systems CleanAIR®

### Features and Benefits

- Exceptionally light and compact combination ideal for asbestos handling
- High nominal protection factor (NPF 2000)
- Simple operation and decontamination by shower
- Lithium-Ion 7.2 V, 2.2 Ah exchangeable battery
- Operation time up to 5 hours with low battery indicator
- Superior, spherical visor eliminates distortion and offers broad view
- Anti-scratch visor also with replaceable protection cover
- 6-point harness with non-sticky surface prevents hair entanglement

### Applications

- Asbestos Handling
- Sanding or Grinding
- Construction Industry
- Cleaning



6 Point Fully Adjustable Harness

Low Weight

Wide Vision Range

Two Exhalation Valves



RPA519 CleanAir® Belt Mount PAPP

Belt or Mask Mounting Option

Product Code	Description	Pack Qty	Items per Carton
RPA531	Full Face Respirator with Mask Mount PAPP	1	5
RPA519	Full Face Respirator with Belt Mount PAPP	1	5
RPF536	Particle filter P R SL	1	5
RCF02-VC	Visor Protection Cover	1	5



# Premium Respiratory Face Masks

**CleanAIR®**

## Full Face PAPER Mask

**RPA538**

Exceptionally light and compact powered air purifying respirator which is designed for active respiratory and face protection with remediation of materials containing asbestos.

**Wide Vision Range**

**5 Hour Battery Life**

**Voice Diaphragm**

**Battery & Motor**

### Features and Benefits

- Low weight, compact unit.
- Simple operation.
- High nominal protection factor (NPF2000)
- Simple decontamination
- 5 hour protection time
- Hose for belt mounted unit (RPA539)

### Applications

- Asbestos Removal
- Building Industry
- Remediation Operations

**6 Point Fully Adjustable Harness**

**Low Weight**

**Belt or Mask Mounting Option**



**RPA539 Belt Mounted Version**

Product Code	Description	Pack Qty	Items per Carton
RPA538	Full Face PAPER with mask mounted Asbest respirator	1	5
RPA539	Full Face PAPER with belt mounted Asbest respirator & hose	1	5
RAC534	CleanAIR Asbest Respirator with battery	1	5
RPF536	Particle filter P R SL	1	5
RCF537	Canister filter cover	1	10
RLB452	Li-ion battery to suit CleanAIR Asbest Unit	1	2
RBC543	Canister filter cover	1	2

**CleanAIR®**

## Air Hood Face Shield PAPER Kit

**RPG540**

A light protective shield with an easily exchangeable visor provides respiratory and face protection in grinding operations.

**Wide Vision Range**

**Exchangeable Visor**

**Features and Benefits**

- Low weight, compact unit.
- Protection factor (NPF50)
- Comfortable and adjustable headband.
- Available with 2 basic types of visor.
  - Polycarbonate - high mechanical resistance, suitable for grinding operations. EN166
  - Acetate - high chemical resistance.
- Perfect for use with RPA530 CleanAir® AerGo® PAPR Belt Unit.

**Applications**

- Dusty Environments
- Low Chemical Environments
- Grinding and Surface Finishing
- Heavy Industrial Operations
- Building Industry



**Adjustable Headgear**

**Soft Headband**

**Low Weight**

Product Code	Rating	Description	Pack Qty	Mask per Carton
RPG540		Full Face PAPR with AerGO® Respirator	1	5
RCA-3P		Full Face PAPR	1	5
RPRSL-2	P3	Particle filter AerGO® (set of 2)	1	2
RAIPRSL-2	A1P3	Set of combined A1 filters AerGO® (set of 2)	1	1
RA1B1E1PRSL-2	ABEP3	Set of combined A1B1E1 filters AerGO® - ozone (Set of 2)	1	1
RPCA-10		Prefilter AerGO® (set of 10)		
RPCA-50		Prefilter AerGO® (set of 50)		
RSA-10		Spark Arrester (set of 10)		
ROF-10		Odour Filter (set of 10)		
RFC-SA-10		Filter cover and spark arrester, prefilter (set of 2+2+2)		
RCA-3PF/10		Protection Film for RCA-3P, pack of 10	1	5
RCA-3PV		Replacement Polycarbonate Visor for RCA-3P	1	5
RCA-3PV5		Replacement Shade 5 Visor for RCA-3P	1	5
RFH529		Flexi hose with QuickLOCK fitting	1	5
RPA530		CleanAIR AerGo PAPR Belt Unit	1	5
RCA544		CleanAIR Basic EVO PAPR Belt Unit	1	5
RCF549		CleanAIR Flow Master with belt and flow indicator	1	5



Approved Combinations		
CleanAir® AerGo® RPA530 	CleanAir® Basic RCA544 	CleanAIR® Pressure Flow Master RCF549 

# Premium Respiratory Protection Face Masks

**CleanAIR®**

## AerGo PAPR Belt Unit

**RPA530**

Universal powered air purifying respirator designed for personal respiratory protection in dusty industrial environments including areas with contaminants in the form of gases and vapours.

### Features and Benefits

- Ergonomic shape and low weight - only 980g
- Slim profile
- Universal usage
- Operation time up to 10 hours
- Short battery charging time <3hrs
- Adjustable airflow
- Constant airflow
- Audiovisual and vibrating alarm indicating low airflow and low battery
- Simple control
- Comfortable exchangeable belt
- Unique filter sealing, provides perfect unit seal after every filter change
- Perfect for use with CleanAir® RPG540 Air Hood Face Shield.

### Applications

- Dusty Industrial Environments
- Automotive Industry
- Shipbuilding Industry
- Welding
- Grinding
- Surface Finishing
- Building Industry
- Agriculture

Product Code	Description	Pack Qty	Items per Carton
RPA530	CleanAir® AerGo PAPR Belt Unit	1	5
RFH529	Light flexi hose QuickLOCK™ - CA40x1/7"	1	5
Replacement Filters			
RPRSL-2	Particle filter P R SL (set of 2)	1	2
RPCA-10	Prefilter CA AerGO (set of 10)		
RPCA-50	Prefilter CA AerGO (set of 50)		
RA1PRSL-2	Set of combined filters CA AerGO® A1 P R SL (set of 2)	1	1
RA1B1E1PRSL-2	Set of combined ozone filters CA AerGO® A1B1E1 P R SL (set of 2)	1	1
RSA-10	Spark Arrester (set of 10)		

Audio, visual and vibrating alarm

Low Weight

Unique Filter Design Ensures the Perfect Seal

Simple to operate with just one button



**RPG540  
CleanAir®  
Air Hood  
Face Shield**



CleanAIR®

# Grinding helmet

RPH838a

Well-balanced, comfortable

NEW

High mechanical durability

Wide Vision Range

Combination of a grinding visor and a safety helmet with integrated air distribution. Ensures protection of the head, eyes, face, respiratory and hearing. The helmet offers well-balanced, comfortable and robust protection certified in accordance with EN 397 while the polycarbonate shield provides protection against high speed, high energy particles and is certified in accordance with EN 166 - Class "A". Compatible with the CleanAIR® AerGO® powered air purifying respirator.

Face, head, ears and respiratory tract protection

### Applications

- Automotive industry
- Construction
- Shipbuilding
- Heavy duty maintenance.

### Complete Kit Includes

- RPA530 - AerGo Respiratory Kit Complete
- RFH529 - Flexi hose with QuickLOCK fitting

Product Code	Description	Pack Qty	Boxes per Carton
RGH518	CA-40G Grinding helmet	1	5
RPA530	AerGo Respiratory Kit Complete	1	5
RFH529	Flexi hose with QuickLOCK fitting	1	5
RPA530	CleanAIR AerGo PAPR Belt Unit	1	5
RCA544	CleanAIR Basic EVO PAPR Belt Unit	1	5
RCF549	CleanAIR Flow Master with belt and flow indicator	1	5
RFH529	Light Flexi Hose	1	5

### Approved Combinations

<p>CleanAir® AerGo® RPA530</p> 	<p>CleanAir® Basic RCA544</p> 	<p>CleanAIR® Pressure Flow Master RCF549</p> 
--	---	--



# Premium Respiratory Protection Face Masks

**CleanAIR®**

## UniMask Protective Face Shield

RFU837

The highest level of breathing protection with enhanced inner airflow regulation and a visor with excellent optical and mechanical features make this universal light face shield a true leader of its class.

### Features and Benefits

- The highest class of breathing protection TH3
- Enhanced inner airflow regulation
- Light weight – only 380g
- Excellent optical quality EN 166 class 1
- High mechanical resistance of the visor
- Antifog / antiscratch coating
- Safety helmet compatible
- Neoprene or textile face seal option
- Easy to use and adjust
- Fast and simple maintenance

### Applications

- Building Industry
- Automotive industry
- Heavy Industry
- Shipbuilding
- Refineries



**NEW**

Low Weight

Wide Vision Range

Antifog / Antiscratch Coating

Easy to adjust and comfortable

Neoprene or textile face seal



Product Code	Description	Pack Qty	Boxes per Carton
RFU837	UniMask Protective Face Shield	1	5
RPA530	CleanAIR AerGo PAPR Belt Unit	1	5
RCA544	CleanAIR Basic EVO PAPR Belt Unit	1	5
RCF549	CleanAIR Flow Master with belt and flow indicator	1	5
RFH529	Light Flexi Hose	1	5
RUV842	Spare Protective Visor for UniMask - Clear	1	5
RUV843	Spare Protective Visor for UniMask - Amber	1	5
RUV844	Spare Protective Visor for UniMask - Shade 3	1	5
RUV845	Spare Protective Visor for UniMask - Shade 5	1	5

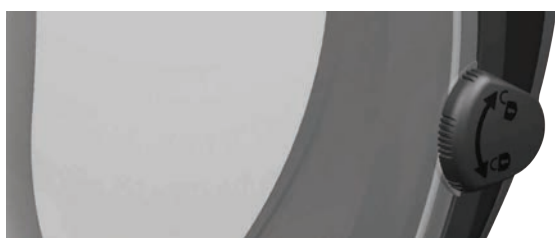
Approved Combinations		
CleanAir® AerGo® RPA530	CleanAir® Basic RCA544	CleanAIR® Pressure Flow Master RCF549
		

CleanAIR®

## UniMask Protective Face Shield Features

### Easy and Quick Changing of the Visor

In case the visor has to be replaced or separately cleaned, it can be easily removed and attached back to the hood using two simple locking knobs.



### Quickly Exchangeable Face Seal with Easy Maintenance

The face seal ensures secure and comfortable fit for the wearer. Thanks to a fast clickin system the face seal can be easily and quickly removed and attached back. The face seals can be washed in a washing machine and even dried in the dryer.



### Inner Airflow Regulation



### Safety Helmet Compatible

The face seal ensures secure and comfortable fit for the wearer. Thanks to a fast clickin system the face seal can be easily and quickly removed and attached back. The face seals can be washed in a washing machine and even dried in the dryer.





# Premium Respiratory Protection Face Masks

**CleanAIR®**

## Evolve Auto Darkening Welding Helmet with PAPR

RWH532

An ergonomic and lightweight flip-up combination of auto-darkening welding helmet and protective visor. The stable flip-up welding visor provides excellent protection for grinding, welding and subsequent surface finishing operations. CA-29 Evolve is designed for use with CleanAir® AerGo® PAPR Belt Unit.

Well-balanced, comfortable

**NEW**

Auto-Darkening

### Features and Benefits

- Combines an auto-darkening welding hood and a clear protective visor
- Welding and grinding protection
- Lightweight and well balanced for comfort
- Advanced pivot flip-up mechanism optimises the centre of gravity
- Compatible with ADFs or passive filters 110x90mm
- Large protective visor 170x95mm for undisturbed view
- "B" rated impact resistance
- Weight: 775g
- Protective class: TH2/2A
- Includes CleanAir® AerGo® PAPR Belt Unit

### Applications

- Welding
- Grinding
- Building Industry
- Heavy Industry
- Refineries

Product Code	Description	Pack Qty	Boxes per Carton
RWH532	Evolve Auto Darkening Welding Helmet with PAPR	1	5
RPA530	CleanAIR AerGo PAPR Belt Unit	1	5
RCA544	CleanAIR Basic EVO PAPR Belt Unit	1	5
RCF549	CleanAIR Flow Master with belt and flow indicator	1	5
RFH529	Light Flexi Hose	1	5

Low Weight

Advanced pivot flip-up mechanism

Technical Data	
Air Flow	160lpm and 210 7pm
Weight	980g (including battery)
Noisiness	Max. 70 dB
Dimensions	235mm / 126mm / 65mm
Battery	Li-ion 14,4V / 2,6Ah
Certification	EN 12941 TH3

Approved Combinations		
CleanAir® AerGo® RPA530	CleanAir® Basic RCA544	CleanAIR® Pressure Flow Master RCF549
		



CleanAIR®

# Protective Respiratory Hood

RSH835

### Features and Benefits

- Wide panoramic visor with anti-fog coating
- Individual headgear settings – adjustable perimeter and distance from the visor
- Comfortable to wear over long time periods thanks to light weight nylon material
- Basic mechanical protection for the eyes
- Reflective pull tabs on chin and head for ease of use
- Available with protective lens tear-offs

### Applications

- Manufacturing Industry
- Wood processing Industry
- Food Industry
- Mining Industry
- Agricultural Industry



### Approved Combinations

CleanAir® AerGo® RPA530 	CleanAir® Basic RCA544 	CleanAIR® Pressure Flow Master RCF549 
--	---	--

Product Code	Description	Pack Qty	Items per Carton
RSH835	Protective Respiratory Hood	1	5
RPF840	Protective Lens Tear-offs for RSH835 Hood, pack of 10	1	10
RPA530	CleanAIR AerGo PAPR Belt Unit	1	5
RCA544	CleanAIR Basic EVO PAPR Belt Unit	1	5
RCF549	CleanAIR Flow Master with belt and flow indicator	1	5
RFH529	Light Flexi Hose	1	5

# Qualitative Fit Test Kit

RFT522

### Features and Benefits

- OSHA Approved Fit-Test protocol
- Use with Disposable and Negative-Pressure Half Face Respirators
- Sufficient solution for up to 55 tests

### Each kit contains the following:

- 1 x Hood
- 2 x Nebulizers
- 1 x Sensitivity Solution
- 1 x Fit Test Solution
- 2 x Cleaning Tool



Product Code	Description	Pack Qty
RSB522-B	Qualitative Fit Test Kit (Bitter)	1
RSB522-S	Qualitative Fit Test Kit (Sweet)	1
RBS523	Bitrex Sensitivity Solution (Bitter) - 60ml bottle	1
RBT524	Bitrex Fit Test Solution (Bitter) - 60ml bottle	1
RBS526	Saccharin Sensitivity Solution (Sweet) - 60ml bottle	1
RST527	Saccharin Fit Test Solution (Sweet) - 60ml bottle	1
RFT522-N	Replacement Nebulizer	2
RFT522-H	Replacement Test Hood	1

# Disposable Respiratory Protection

From top of the line industrial quality respiratory protection to disposable single use masks, if you need protection from an airborne hazard you'll find the answer in this range. Mists, vapours, gas and fumes, whatever the hazard you can breathe easy with Maxisafe.

## Maxisafe Protection

The Maxisafe range of disposable and industrial quality respirators provide a low cost, high quality respiratory solution. Packed with innovative features and modern designs, the range provides great protection at a competitive price and is certified to AS/NZS 1716 where applicable.

## Airborne Hazards

**DUSTS** are airborne solid particles with variable dimensions, which are generated during crushing process of organic and inorganic solid substances e.g. drilling, sawing and sandblasting.

**MISTS** are tiny liquid droplets that are formed from liquid materials by atomization and condensation processes such as spray painting.

**FUMES** are particles forming an airborne suspension, usually caused by the heating of a solid to such an extent that it vapourises and condenses into extremely fine particles. They are generally generated during combustion, fusion or welding processes and may be termed a thermally generated particulate.

**VAPOUR** A gaseous state formed by evaporation from substances that are solid or liquid at room temperature (petrol, methylated spirits).

**GAS** Air-like substance at room temperature such as carbon dioxide, chlorine, ammonia etc.



### Maxisafe Advantages

Maxisafe's respirators are designed with a unique and highly adapted pre-shaped nose area removing the need for an adjustable nose-bridge. This design has proved to be closer fitting and more comfortable ensuring a secure seal during long periods of use.

P2 Pre-moulded respirator fits a wide variety of face profiles

---

Exhalation valve provides increased air flow and comfort

---

P2 rating offers protection against mechanically and thermally generated particles

---

Pre-formed nose-bridge minimizes the risk of leaks

---

Twin straps offer firm comfortable fit

---

Suitable for medical, soldering, welding, grinding, sanding and dusty environments



## Nuisance Dust Mask Box 50

RES500

### Features and Benefits

- A lightweight hygiene mask
- Economical and ideal for protection against large dust particles
- Aluminium nose-piece can be moulded for comfort and seal
- Ideal for sweeping and non-industrial applications
- 50 masks per box



Product Code		Description	Pack Qty	Boxes per Carton
RES500C-10	Blister of 10	Dust Mask	1	20
RES500	Box of 50	Dust Mask	1	24

## P2 Conical Disposable Respirator

RES513

### Features and Benefits

- Premium conical style disposable respirators
- P2 rating offers protection against mechanically and thermally generated particles
- Soft nose foam ensures custom fit to nose
- Latex free straps give firm and comfortable fit
- Latex free exhalation valve ensures low breathing resistance
- Soft inner layer for comfort and fit
- Certified to AS/NZS 1716:2012 P2 standards



Product Code	Rating	Description	Pack Qty	Boxes per Carton
RES513	P2 rated	Box of 20 respirators	1	12



# P2 Conical Disposable Respirator with Valve

RES514

## Features and Benefits

- Premium conical style disposable respirators
- P2 rating offers protection against mechanically and thermally generated particles
- Soft nose foam ensures custom fit to nose
- Latex free straps give firm and comfortable fit
- Latex free exhalation valve ensures low breathing resistance
- Soft inner layer for comfort and fit
- Certified to AS/NZS 1716:2012 P2 standards
- Exhalation Valve for added comfort



Product Code	Rating	Description	Pack Qty	Boxes per Carton
RES514	P2 rated	Box of 10 respirators with valve	1	12

# P1 Moulded Respirator

RES501



## Features and Benefits

- P1 Pre-moulded respirator fits a wide variety of face profiles
- Pre-formed nose-bridge minimizes the risk of leaks
- Twin straps offer firm comfortable fit
- Suitable for medical, grinding, sanding and dusty environments
- Certified to AS/NZS 1716



Product Code	Rating	Description	Pack Qty	Boxes per Carton
RES501	P1 rated	Box of 20 Respirators	1	12
RES501C-3	P1 rated	Blister of 3 Respirators	1	24

## KN95 Face Masks

RES833

### Features and Benefits

- Worn over the nose and mouth to minimise the chance of inhaling airborne particles like viruses and other germs
- FFP2 rated mask, CE approved to EN149-2001+A1-2009
- Bacteria and dust filtration efficiency >95%
- 5-ply, flat fold design for easy storage in pockets etc.
- Elastic ear-loop, non-medical mask
- Metal nose bridge for comfortable fit
- 20 Individually packed masks per box

### Applications

- Dusty environments
- Construction
- Landscaping
- Painting
- General use



Product Code	Description	Pack Qty	Boxes per Carton
RES507	Box of 20 KN95 Face Masks	20	66

## Non-Medical Disposable Face Mask

RFM841

### Features and Benefits

- Type 1 non-medical mask
- Three-layer, non-woven fabric structure
- Soft, elastic ear loops
- Fully enclosed, adjustable nose clip
- Size 17.5 x 9.5cm

### Applications

- Office staff
- Non-medical general use



Product Code	Description	Pack Qty	Boxes per Carton
RFM841	Type 1 Disposable Face Mask	50	40

# P1 Moulded Respirator with Valve

RES502

### Features and Benefits

- P1 Pre-moulded respirator fits a wide variety of face profiles
- Exhalation valve provides increased air flow and comfort
- Pre-formed nose-bridge minimizes the risk of leaks
- Twin straps offer firm comfortable fit
- Suitable for medical, grinding, sanding and dusty environments
- Certified to AS/NZS 1716



Product Code	Rating	Description	Pack Qty	Boxes per Carton
RES502	P1 rated	Box of 10 Valve Respirators	1	12
RES502C-3	P1 rated	Blister of 3 Valve Respirators	1	24

# P2 Moulded Respirator

RES503

### Features and Benefits

- P2 Pre-moulded respirator fits a wide variety of face profiles
- P2 rating offers protection against mechanically and thermally generated particles
- Pre-formed nose-bridge minimizes the risk of leaks
- Twin straps offer firm comfortable fit
- Suitable for medical, soldering, welding, grinding, sanding and dusty environments
- Certified to AS/NZS 1716



Product Code	Rating	Description	Pack Qty	Boxes per Carton
RES503	P2 rated	Box of 10 Respirators	1	12
RES503C-3	P2 rated	Blister of 3 Respirators	1	24

## P2 Moulded Respirator with Valve

RES504

### Features and Benefits

- P2 Pre-moulded respirator fits a wide variety of face profiles
- Exhalation valve provides increased air flow and comfort
- P2 rating offers protection against mechanically and thermally generated particles
- Pre-formed nose-bridge minimizes the risk of leaks
- Twin straps offer firm comfortable fit
- Suitable for medical, soldering, welding, grinding, sanding and dusty
- Certified to AS/NZS 1716



Product Code	Rating	Description	Pack Qty	Boxes per Carton
RES504	P2 rated	Box of 10 Valve Respirators	1	12
RES504C-3	P2 rated	Blister of 3 Valve Respirators	1	24

## P2 Moulded Respirator with Valve & Active Carbon Filter

RES505

### Features and Benefits

- P2 Pre-moulded respirator fits a wide variety of face profiles
- Exhalation valve provides increased air flow and comfort
- Active Carbon Filter protects against nuisance level organic vapours
- Pre-formed nose-bridge minimizes the risk of leaks
- Twin straps offer firm comfortable fit
- Suitable for medical, soldering, welding, grinding, sanding and dusty environments
- Certified to AS/NZS 1716



Product Code	Rating	Description	Pack Qty	Boxes per Carton
RES505	P2 rated	Box of 10 Valve Respirators with Active Carbon Filter	1	12
RES505C-3	P2 rated	Blister of 3 Valve Respirators with Active Carbon Filter	1	20



## P2 Horizontal Flat Fold Respirator

RES507

### Features and Benefits

- P2 Flat Fold respirator fits a wide variety of face profiles
- Twin straps offer firm comfortable fit
- Suitable for medical, grinding, sanding and dusty environments



AS/NZS 1716:  
ID. No: 3858

Product Code	Rating	Description	Pack Qty	Boxes per Carton
RES507	P2 rated	Box of 20 Horizontal Flat Fold Respirators	1	20

## P2 Horizontal Flat Fold Respirator with Valve

RES508

### Features and Benefits

- P2 Flat Fold respirator fits a wide variety of face profiles
- Exhalation valve provides increased air flow and comfort
- Twin straps offer firm comfortable fit
- Suitable for medical, grinding, sanding and dusty environments



AS/NZS 1716:  
ID. No: 3858

Product Code	Rating	Description	Pack Qty	Boxes per Carton
RES508	P2 rated	Box of 20 Horizontal Flat Fold Valve Respirators	1	12

## P2 3-Panel Flat Fold Respirator with Valve

RES510

### Features and Benefits

- P2 rating for protection against mechanically and thermally generated particles
- Exhalation Valve provides increased airflow and comfort
- Contoured shape for enhanced fit, seal & comfort
- Latex free dual straps give firm and comfortable fit
- Adjustable twin head strap for optimum fit
- Mouldable high density foam nose seal for a secure & comfortable fit
- Fits most common face shapes
- Staple free
- Hygienically sealed
- Certified to AS/NZS 1716:2003

### Applications

- Dusty environments
- Medical
- Soldering
- Grinding
- Sandy



Product Code	Rating	Description	Pack Qty	Boxes per Carton
RES510	P2 rated	Box of 20 Panel Flat Fold Valve Respirators	1	12

## P2 Mesh Respirator with Valve

RES517

### Features and Benefits

- Pre-moulded design fits a wide variety of face profiles
- Exhalation valve provides increased airflow and comfort
- Mesh shell resists collapsing and prolongs mask life
- Foam rubber nose seal
- Twin adjustable head straps
- Certified to AS/NZS 1716:2003

### Applications

- Medical
- Soldering
- Grinding
- Sandy
- Dusty environments



Product Code	Rating	Description	Pack Qty	Boxes per Carton
RES517	P2 rated	Box of 10 Mesh Valve Respirators	1	12

# Respiratory Filter Selection Chart

This **Filter Selection Chart** should be used as a guide only. An MSDS sheet should be consulted and concentration levels of the contaminants you are working with should be checked before deciding on a disposable or reusable respirator with filters. Some contaminant concentrations may require a higher level of protection such as a PAPR or SAR unit.

**A** Organic Vapours **B** Acid Gases **E** Sulphur Dioxide (SO<sub>2</sub>) **K** Ammonia (NH<sub>3</sub>) **P** Particulates

SUBSTANCE	CAS No.	RECOMMENDED FILTERS				Particle Filter	Airline or SCBA
		Gas Filter	A	K	A B E K		
<b>A</b>							
1 Acetaldehyde	75-07-0					■	
2 Acetamide	60-35-5					P3R	
3 Acetic acid	64-19-7				■	P2RC	
4 Acetic anhydride	108-24-7	■			■		
5 Acetone	67-64-1					■	
6 Acetone cyanohydrine	75-86-5	■			■		
7 Acetonitrile	75-05-8	■			■		
8 Acetylene	74-86-2						■
9 Acetyl chloride	75-36-5				■	P2RC	
10 o-Acetylsalicylic acid	50-78-2					P2R	
11 Acrolein	107-02-8					■	
12 Acrylamide	79-06-1					P3R	
13 Acrylic acid	79-10-7	■			■	P2RC	
14 Acrylonitrile	107-13-1	■			■		
15 Aldrin	309-00-2					P3R	
16 Allyl alcohol	107-18-6	■			■		
17 Allylamine	107-11-9	■			■		
18 Allyl bromide	106-95-6	■			■		
19 Allyl chloride	107-05-1					■	
20 Allyl glycidyl ether	106-92-3	■			■		
21 Allyl isocyanate	1476-23-9	■			■	P2RC	
22 Allyl propyl disulfide	2179-59-1				■	P2RC	
23 Aluminium	7429-90-5					P2R	
24 Aluminium hydroxide	21645-51-2					P2R	
25 Aluminium oxide	1344-28-1					P2R	
26 Aluminium alkyl compounds		■			■	P2RC	
27 p-Aminoazobenzene	60-09-3					P3R	
28 o-Aminotoluene	97-56-3					P3R	
29 4-Aminodiphenyl	92-67-1					P3R	
30 3-Amino-9-ethylcarbazol	132-32-1					P2R	
31 2-Aminoethanol	141-43-5	■			■	P2RC	
32 2-Aminopyridine	504-29-0					P2R	
33 Amitrole (3-Amino-1,2,4-triazole)	61-82-5					P3R	
34 Ammonia	7664-41-7		■		■		
35 Ammonium chloride fume	12125-02-9					P2R	
36 Ammonium sulfate	7773-06-0					P2R	
37 n-Amyl acetate (1-Pentyl acetate)	628-63-7	■			■		
38 sec-Amyl acetate (2-Pentyl acetate)	626-38-0	■			■		
39 Aniline	62-53-3	■			■		
40 Anisidine, o-isomer	90-04-0	■			■	P3RC	
41 Anisidine, p-isomer	104-94-9					P2R	
42 Anthracene	120-12-7					P2R	
43 Antimony and compounds, as Sb	7440-36-0					P3R	
44 Antimony penta chloride	7647-18-9				■	P3RC	
45 Antimony trioxide, as Sb	1309-64-4					P3R	
46 ANTU (α-Naphthylthiourea)	86-88-4					P2R	
47 p-Aramid, fibrous dust	26125-61-1					P2R	
48 Argon	7440-37-1						■
49 Arsenic and inorganic compounds (except arsine), as As	7440-38-2					P3R	
50 Arsenic acid and its salts, as As	7778-39-4					P3R	
51 Arsenic pentoxide, as AS	1303-28-2					P3R	
52 Arsenic trioxide, as AS	1327-53-3					P3R	
53 Arsenous acid and its salts, as As	13464-58-9					P3R	
54 Arsine	7784-42-1						■
55 Asbestos, all forms	1332-21-4					P3R	
	12001-28-4						
	12172-73-5						
	7536-66-4						
	77536-67-5						
	77536-68-6						
56 Asphalt fume (Bitumen)	8052-42-4	■			■	P2RC	
57 Atrazine	1912-24-9					P2R	
58 Auramine	492-80-8					P3R	
59 Azinphos-methyl (Guthion®)	86-50-0					P2R	
<b>B</b>							
60 Barium and soluble compounds, as Ba	7440-39-3					P2R	
61 Barium chloride	10326-27-9					P3R	
62 Benomyl	17804-35-2					P3R	
63 Beechwood dust						P3R	

Substance	CAS No.	RECOMMENDED FILTERS				Particle Filter	Airline or SCBA
		Gas Filter	A	K	A B E K		
64 Benzaldehyde	100-52-7	■			■		
65 Benzene	71-43-2	■			■		P2RC
66 Benzidine	92-87-5						P3R
67 Benzo[a]pyrene	50-32-8						P3R
68 Benzo[e]pyrene	192-97-2						P2R
69 Benzoyl peroxide (Dibenzoyl peroxide)	94-36-0						P2R
70 Benzylamine	100-46-9	■			■		P2RC
71 Benzyl butyl phthalate	65-68-7	■			■		
72 Benzyl chloride	100-44-7				■		
73 Beryllium and compounds, as Be	7440-41-7						■
74 4,4'-Bisdimethylaminobenzophenone (Michler's ketone)	90-94-8						P3R
75 Biphenyl (Diphenyl)	92-52-4						P2R
76 Bismuth telluride, Undoped	1304-82-1						P2R
77 Bismuth telluride, Se-doped, as Bi2Te3	1304-82-1						P2R
78 Borax (Sodium tetraborate)	1330-43-4						P2R
79 Boric acid	10043-35-3						P2R
80 Boron oxide	1303-86-2						P2R
81 Boron tribromide	10294-33-4						■
82 Boron trifluoride	7637-07-2						■
83 Bromacil	314-40-9						P3R
84 2-Bromobutane	78-76-2	■			■		
85 Bromine	7726-95-6				■		
86 Bromine pentafluoride	7789-30-2						■
87 Bromobenzene	108-86-1	■			■		
88 1-Bromo-2-chloroethane	107-04-0	■			■		
89 Bromoethane (Ethyl bromide)	74-96-4						■
90 Bromoethylene (Vinyl bromide)	593-60-2						■
91 Bromoform (Tribromomethane)	75-25-2	■			■		P2RC
92 Bromomethane (Methyl bromide)	74-83-9						■
93 2-Bromopentane	107-81-3	■			■		
94 1,3-Butadiene	106-99-0						■
95 n-Butanal (Butyraldehyde)	123-72-8	■			■		
96 n-Butane	106-97-8						■
97 1,4-Butane sultone	1633-83-6	■			■		P2RC
98 2,4-Butane sultone	1121-03-5	■			■		P2RC
99 1-Butanol (n-Butyl alcohol)	71-36-3	■			■		
100 2-Butanol (sec-Butyl alcohol)	78-92-2	■			■		
101 2-Butanone (Methyl ethyl ketone)	78-93-3	■			■		
102 2-Butanone peroxide (Methyl ethyl ketone peroxide)	1338-23-4						P2R
103 2-Butenal (Crotonaldehyde)	4170-30-3	■			■		
104 2-Butoxyethanol (EGBE)	111-76-2	■			■		
105 2-Butoxyethyl acetate (EGBEA)	112-07-2	■			■		
106 n-Butyl acetate (1-Butyl acetate)	123-86-4	■			■		
107 sec-Butyl acetate (2-Butyl acetate)	105-46-4	■			■		
108 tert-Butyl acetate	540-88-5	■			■		
109 n-Butyl acrylate	141-32-2	■			■		
110 n-Butylamine	109-73-9	■			■		
111 sec-Butylamine	13952-84-6						■
112 tert-Butyl chromate, as CrO3	1189-85-1						P2R
113 Butyl formate	592-84-7	■			■		
114 n-Butyl glycidyl ether (BGE)	2426-08-6	■			■		P2RC
115 tert-Butyl glycidyl ether	7665-72-7	■			■		
116 tert-Butyl hydroperoxide	75-91-2	■			■		
117 n-Butyl lactate	138-22-7	■			■		P2RC
118 n-Butyl mercaptan (Butanethiol)	109-79-5				■		
119 n-Butyl methacrylate	97-88-1	■			■		P2RC
120 tert-Butyl peroxyacetate	107-71-1						P2RC
121 o-sec-Butyl phenol	89-72-5	■			■		P2RC
122 p-tert-Butyl phenol	98-54-4						P2R
123 Butyl stearate	123-95-5	■			■		P2RC
124 p-tert-Butyltoluene	98-51-1	■			■		
<b>C</b>							
125 Cadmium and compounds, as Cd	7440-43-9						P3R
126 Cadmium chloride, as Cd	10108-64-2						P3R
127 Cadmium oxide, as Cd	1306-19-0						P3R
128 Cadmium sulfate, as Cd	1306-23-6						P3R
129 Calcium arsenate, as As	7778-44-1						P3R
130 Calcium bisulfide solution	13780-03-5				■		P2RC
131 Calcium carbonate	1317-65-3						P2R
132 Calcium chromate, as Cr	13765-19-0						P3R
133 Calcium cyanamide	156-62-7						P2R

SUBSTANCE	CAS No.	RECOMMENDED FILTERS				Particle Filter	Airtone or SCBA
		Gas Filter					
		A	K	A B E K	AX		
134 Calcium hydroxide	1305-62-0					P2R	
135 Calcium oxide	1305-78-8					P2R	
136 Camphor, synthetic	76-22-2					P2R	
137 Caprolactam	105-60-2					P2R	
138 Captadol	2425-06-1					P3R	
139 Captan	133-06-2					P3R	
140 Carbaryl (Sevin®)	63-25-2					P2R	
141 Carbofuran	1563-66-2					P3R	
142 Carbon black	1333-86-4					P3R	
143 Carbon dioxide	124-38-9						■
144 Carbon disulfide	75-15-0			■			
145 Carbon monoxide	630-08-0						■
146 Carbon tetrabromide	558-13-4					P2R	
147 Carbon tetrachloride	56-23-5	■		■			
148 Carbonyl fluoride	353-50-4						■
149 Cellulose	9004-34-6					P2R	
150 Chlorane	57-74-9					P3R	
151 Chloroacene (Kepone®)	143-50-0	■		■		P3RC	
152 Chlorine	7782-50-5			■			
153 Chlorine dioxide	10049-04-4			■			
154 Chlorine trifluoride	7790-91-2						■
155 Chloroacetaldehyde	107-20-0	■		■			
156 2-Chloroacetophenone (Phenacyl chloride) (CN)	532-27-4	■		■		P2RC	
157 Chloroacetyl chloride	79-04-9	■		■			
158 o-Chloroaniline	106-47-8					P3R	
159 Chlorobenzene (Monochlorobenzene)	108-90-7	■		■			
160 o-Chlorobenzylidene malononitrile (CS)	2698-41-1					P3R	
161 Chlorobromomethane (Bromochloromethane)	74-97-5	■		■			
162 Chlorodiphenyl, 42% chlorine	53469-21-9	■		■			
163 Chlorodiphenyl, 54% chlorine	11097-69-1	■		■		P3RC	
164 Chloroform (Trichloromethane)	67-66-3				■		
165 N-Chloroformyl-morpholine	15159-40-7	■		■		P2RC	
166 bis(Chloromethyl)ether	542-88-1			■			
167 Chloromethyl methyl ether (DMEM; Methyl chloromethyl ether)	107-30-2				■		
168 3-Chloro-2-methyl-1-propene	563-47-3	■		■			
169 1-Chloronaphthalene	90-13-1	■		■			
170 1-Chloro-1-nitropropane	600-25-9			■		P2RC	
171 1-Chloropentane	543-59-9	■		■			
172 Chloropicrin (Trichloronitromethane)	76-06-2	■		■			
173 β-Chloroprene (2-Chloro-1,3-butadiene)	126-99-8				■		
174 1-Chloropropane	540-54-5				■		
175 2-Chloropropane (Isopropyl chloride)	75-29-6				■		
176 o-Chlorostyrene	2039-87-4	■		■			
177 o-Chlorotoluene	95-49-8			■			
178 4-Chloro-o-toluidine	95-69-2	■		■		P3RC	
179 5-Chloro-o-toluidine	95-79-4	■		■		P2RC	
180 Chlorpyrifos	2921-88-2	■		■		P3RC	
181 Chromic acid and chromates, as Cr	7738-94-5					P3R	
182 Chromite, as Cr						P2R	
183 Chromium ( ) inorganic compounds, as Cr	7440-47-3					P2R	
184 Chromium ( ) inorganic compounds, water-soluble, as Cr						P3R	
185 Chromium ( ) inorganic compounds, insoluble, as Cr						P3R	
186 Chromium carbonyl	13007-92-6						■
187 Chromium ( ) oxide	1308-38-9					P2R	
188 Chromium oxychloride	14977-61-8			■			
189 Citric acid	77-92-9					P2R	
190 Coal dust, anthracite						P2R	
191 Coal dust, bituminous or lignite						P2R	
192 Coal tar pitch volatiles, as benzene soluble aerosol	65996-93-2	■		■		P3RC	
193 Cobalt and compounds	7440-48-4					P3R	
194 Cobalt ( ) acetate tetrahydrate	6147-53-1					P2R	
195 Coconut oil						P2R	
196 Copper, dusts and mists, as Cu	7440-50-8					P2R	
197 Copper, fume, as Cu	7440-50-8					P2R	
198 Copper ( ) chloride	7447-39-4					P2R	
199 Copper ( ) sulfate	7758-98-7					P2R	
200 Cotton dust, raw, untreated						P3R	
201 Cresol, all isomers	1319-77-3	■		■		P2RC	
202 Cumene	98-82-8	■		■			
203 Cumene hydroperoxide	80-15-9			■			
204 Cyanamide	420-04-2			■		P2RC	
205 Cyanides, as CN				■		P3RC	
206 Cyanogen	460-19-5						■
207 Cyanogen bromide	506-68-3			■		P3RC	
208 Cyanogen chloride	506-77-4			■			■
209 Cyanuric chloride	108-77-0			■		P2RC	
210 Cyclohexane	110-82-7	■		■		P2RC	
211 Cyclohexanol	108-93-0	■		■		P2RC	
212 Cyclohexanone	108-94-1	■		■			

Substance	CAS No.	RECOMMENDED FILTERS					Particle Filter	Airtone or SCBA
		Gas Filter						
		A	K	A B E K	AX			
213 Cyclohexene	110-83-8	■		■				
214 Cyclohexylamine	108-91-8	■		■				
215 Cyclonite (PDX)	121-82-4						P2R	
216 1,3-Cyclopentadiene	542-92-7				■			
217 Cyclopentanone	120-92-3	■		■				
<b>D</b>								
218 2,4-D (2,4-Dichlorophenoxyacetic acid)	94-75-7						P2R	
219 DDT (Dichlorodiphenyltrichloro-ethane)	50-29-3						P3R	
220 Decaborane	17702-41-9						■	
221 n-Decane	124-18-5	■		■				
222 1-Decanol	112-30-1	■		■			P2RC	
223 Demeton (Systox®)	8065-48-3	■		■			P3RC	
224 Diacetone alcohol (4-Hydroxy-4-methyl-2-pentanone)	123-42-2	■		■				
225 Diacetyl peroxide	110-22-5			■			P2RC	
226 2,4-Diaminocanisole	615-05-4			■			P3R	
227 3,3'-Diaminobenzidine	91-95-2						P2R	
228 3,3'-Diaminobenzidine tetrahydrochloride	7411-49-5						P2R	
229 4,4'-Diamino-3,3'-dimethyldiphenylmethane	838-88-0						P3R	
230 2,4-Diaminotoluene (Toluene-2,4-diamine)	95-80-7						P3R	
231 Diatomaceous earth, calcinated	99439-28-8						P2R	
232 Diatomaceous earth, uncalcinated	61790-53-2						P3R	
233 Diazinon®	333-41-5	■		■			P3RC	
234 Diazomethane	334-88-3						■	
235 Dibenzylamine	103-49-1	■		■				
236 Dibenzylether	103-50-4	■		■			P2RC	
237 Diborane	19287-45-7						■	
238 1,2-Dibromo-3-chloropropane (DBCP)	96-12-8	■		■			P3RC	
239 1,2-Dibromoethane	106-93-4	■		■			P3RC	
240 2-N-Dibutylaminoethanol	102-81-8	■		■			P2RC	
241 Dibutyl ether	142-96-1	■		■				
242 Dibutyl phosphate	107-66-4	■		■				
243 Dibutyl phthalate	84-74-2	■		■				
244 Dichloroacetylene	7572-29-4						■	
245 o-Dichlorobenzene	95-50-1	■		■				
246 m-Dichlorobenzene	541-73-1	■		■				
247 p-Dichlorobenzene	106-46-7	■		■			P3RC	
248 3,3'-Dichlorobenzidine	91-94-1	■		■			P3R	
249 1,4-Dichloro-2-butene	764-41-0	■		■			P3RC	
250 2,2'-Dichlorodiethyl ether	111-44-4	■		■				
251 Dichlorodisopropyl ether	108-60-1	■		■				
252 Dichlorodimethyl ether	4885-02-3	■		■			P2RC	
253 1,3-Dichloro-5,5-dimethyl hydantoin	118-52-5						P2R	
254 1,1-Dichloroethane	75-34-3				■			
255 1,2-Dichloroethane	107-06-2	■		■				
256 1,1-Dichloroethene	75-35-4				■			
257 cis-1,2-Dichloroethene	156-59-2				■			
258 trans-1,2-Dichloroethene	156-60-5				■			
259 Dichloromethane	75-09-2				■			
260 1,2-Dichloromethoxyethane	41683-62-9	■		■			P2RC	
261 1,1-Dichloro-1-nitroethane	594-72-9	■		■			P2RC	
262 1,2-Dichloropropane	78-87-5	■		■				
263 1,3-Dichloro-2-propanol	96-23-1	■		■				
264 1,3-Dichloropropene	542-75-6	■		■				
265 2,2-Dichloropropionic acid	75-99-0	■		■			P2RC	
266 Dichlorotetrafluoroethane (1,2-Dichloro-1,1,2,2-tetrafluoroethane)	76-14-2				■			
267 2,4-Dichlorotoluene	95-73-8	■		■				
268 Dichlorvos (DDVP)	62-73-7	■		■			P3RC	
269 Dicyclohexylmethane-4,4'-diisocyanate	5124-30-1	■		■			P3RC	
270 Dicyclohexyl peroxide	1758-61-8			■			P2RC	
271 Dicyclohexyl phthalate	84-61-7						P2R	
272 Dicyclopentadiene	77-73-6	■		■			P2RC	
273 Dicyclopentadienyl iron, as Fe (Ferrocene)	102-54-5						P2R	
274 Dieldrin	60-57-1						P3R	
275 Diesel fuel	68476-30-2 68334-30-5 68476-34-6 77650-28-3	■		■				
276 Diethanolamine	111-42-2	■		■			P3RC	
277 Diethylamine	109-89-7				■			
278 2-Diethylaminoethanol	100-37-8			■				
279 Diethyl carbonate	105-58-8	■		■				
280 Diethylene glycol	111-46-6	■		■				
281 Diethylene triamine	111-40-0	■		■				
282 Diethyl ether (Ethyl ether)	60-29-7				■			
283 N,N-Diethylhydroxylamine (DEHA)	3710-84-7	■		■			P2RC	
284 Diethyl oxalate	95-92-1	■		■				
285 Diethyl phthalate	84-66-2	■		■				



SUBSTANCE	CAS No.	RECOMMENDED FILTERS				Particulate Filter	Airline or SCBA
		Gas Filter	A	K	A B E K		
286 Diethyl sebacate	110-40-7	■			■		P2RC
287 Diethyl sulfate	64-67-5	■			■		
288 Diethyl sulfide	352-93-2				■		
289 Difluorobromomethane	1511-62-2					■	
290 Difluorodibromomethane	75-61-6					■	
291 Diglycidyl ether (DGE)	2238-07-5	■			■		P2RC
292 1,2-Dihydroxybenzene (Catechol)	120-80-9						P3R
293 1,3-Dihydroxybenzene (Resorcinol)	108-46-3						P2R
294 1,4-Dihydroxybenzene (Hydroquinone)	123-31-9						P3R
295 Diisobutyl ketone	108-83-8	■			■		
296 Diisopropylamine	108-18-9	■			■		
297 Dilauroyl peroxide	105-74-8	■			■		P2RC
298 3,3'-Dimethoxybenzidine	119-90-4						P3R
299 1,1-Dimethoxyethane	534-15-6					■	
300 1,2-Dimethoxyethane	110-71-4	■			■		
301 Dimethoxymethane	109-87-5					■	
302 N,N-Dimethylacetamide	127-19-5	■			■		
303 Dimethylamine	124-40-3					■	
304 1-Dimethylamino-2-propanol	108-16-7	■			■		
305 N,N-Dimethylaniline	121-69-7	■			■		P2RC
306 3,3'-Dimethylbenzidine (Tolidine)	119-93-7						P3R
307 2,2-Dimethylbutane	75-83-2					■	
308 2,3-Dimethylbutane	79-29-8					■	
309 1,3-Dimethylbutyl acetate	108-84-9	■			■		P2RC
310 Dimethylcarbamoyl chloride	79-44-7					■	
311 N,N-Dimethylcyclohexylamine	98-94-2	■			■		
312 Dimethyl disulfide	624-92-0					■	
313 N,N-Dimethylethanolamine	108-01-0	■			■		
314 Dimethyl ether	115-10-6					■	
315 N,N-Dimethylethylamine	598-56-1					■	
316 N,N-Dimethylformamide	68-12-2	■			■		
317 1,1-Dimethylhydrazine	57-14-7		■		■		
318 1,2-Dimethylhydrazine	540-73-8		■		■		
319 Dimethyl hydrogen phosphite	868-85-9	■			■		
320 N,N-Dimethylisopropylamine	996-35-0	■			■		P2RC
321 Dimethyl phthalate	131-11-3	■			■		P2RC
322 2,2-Dimethyl propane (Neopentane)	463-82-1					■	
323 Dimethyl sulfate	77-78-1	■			■		
324 Dimethyl sulfide	75-18-3	■			■		
325 1,2-Dinitrobenzene	528-29-0						P2R
326 1,3-Dinitrobenzene	99-65-0						P2R
327 1,4-Dinitrobenzene	100-25-4						P2R
328 4,6-Dinitro-o-cresol	534-52-1						P3R
329 1,5-Dinitronaphthalene	605-71-0						P2R
330 2,6-Dinitronaphthalene	24824-26-8	■			■		P2RC
331 Dinitropyrene	78432-19-6						P2R
332 2,3-Dinitrotoluene	602-01-7						P2R
333 2,4-Dinitrotoluene	121-14-2						P3R
334 2,5-Dinitrotoluene	619-15-8						P2R
335 2,6-Dinitrotoluene	606-20-2						P3R
336 3,4-Dinitrotoluene	610-39-9						P2R
337 3,5-Dinitrotoluene	618-85-9						P2R
338 1,4-Dioxane	123-91-1	■			■		P3RC
339 Dioxathion	78-34-2					■	
340 1,3-Dioxolane	646-06-0	■			■		
341 Dipentene	138-86-3	■			■		
342 Diphenylamine	122-39-4						P2R
343 Diphenyl ether	101-84-8	■			■		P2RC
344 Diphenylmethane diisocyanate (MDI)	101-68-8	■			■		P3RC
345 Dipropylamine	142-84-7	■			■		
346 Dipropylene glycol methyl ether	34590-94-8	■			■		
347 Dipropyl ether	111-43-3	■			■		
348 Diquat dibromide	85-00-7						P3R
349 Disulfoton	298-04-4						P3RC
350 Disulfur dichloride (Sulfur monochloride)	10025-67-9						
351 Di-sec-octyl phthalate	117-81-7	■			■		
352 Disulfiram	97-77-8						P2R
353 2,6-Di-tert-butyl-p-cresol	128-37-0						P2R
354 Di-tert-butyl peroxide	110-05-4	■			■		
355 Diuron	330-54-1						P2R
356 1,2-Divinylbenzene	91-14-5	■			■		
357 1,3-Divinylbenzene	108-57-6	■			■		
358 Dodecylbenzene	123-01-3	■			■		
<b>E</b>							
359 Emery	1302-74-5						P2R
360 Endosulfan	115-29-7						P3R
361 Endrin	72-20-8						P3R
362 Enflurane	13838-16-9				■		P2RC

Substance	CAS No.	RECOMMENDED FILTERS				Particulate Filter	Airline or SCBA
		Gas Filter	A	K	A B E K		
363 Epichlorohydrin (1-Chloro-2,3-epoxypropane)	106-89-8	■			■		
364 EPN (O-Ethyl O-4-nitrophenyl phenyl phosphonothioate)	2104-64-5	■			■		P3RC
365 1,2-Epoxybutane	106-88-7					■	
366 Ethanol	64-17-5	■			■		
367 2-Ethoxyethanol (EGEE; Cellosolve)	110-80-5	■			■		
368 2-Ethoxyethyl acetate (EGEEA; Cellosolve acetate)	111-15-9	■			■		
369 Ethyl acetate	141-78-6	■			■		
370 Ethyl acrylate (Acrylic acid)	140-88-5	■			■		
371 Ethylamine	75-04-7					■	
372 Ethyl amyl ketone (5-Methyl-3-heptanone)	541-85-5	■			■		
373 Ethyl benzene	100-41-4	■			■		
374 Ethyl carbamate (Urethane)	51-79-6	■			■		P3RC
375 Ethyl chloride (Chloroethane)	75-00-3	■			■		■
376 Ethyl chloroacetate	105-39-5	■			■		
377 Ethylene chlorohydrin (2-Chloroethanol)	107-07-3	■			■		
378 Ethylenediamine (1,2-Diaminoethane)	107-15-3	■			■		P2RC
379 Ethyleneimine (Aziridine)	151-56-4		■		■		
380 Ethylene glycol	107-21-1	■			■		
381 Ethylene glycol dinitrate (EGDN)	628-96-6	■			■		
382 Ethylene glycol monoisopropyl ether	109-59-1	■			■		
383 Ethylene oxide	75-21-8					■	
384 Ethyl formate (Formic acid ethyl ester)	109-94-4					■	
385 2-Ethyl-1-hexanol	104-76-7	■			■		
386 Ethyl mercaptane (Ethanethiol)	75-08-1					■	
387 4-Ethylmorpholine	100-74-3	■			■		
388 Ethyl propionate	105-37-3	■			■		
389 Ethyl silicate (Silicic acid tetraethyl ester)	78-10-4	■			■		
<b>F</b>							
390 Fenchlorophos	299-84-3	■			■		P2RC
391 Fenitron	55-38-9	■			■		P3RC
392 Ferbam	14484-64-1						P2R
393 Ferrocene	102-54-5						P2R
394 Ferrowanadium dust	12604-58-9						P2R
395 Flour dust							P2R
396 F uorides, as F						■	P2RC
397 Fluorine	7782-41-4					■	
398 Fluorobenzene	462-06-6	■			■		
399 Formaldehyde	50-00-0					■	
400 Formamide	75-12-7	■			■		P2RC
401 Formic acid	64-18-6	■			■		P2RC
402 Fuel oils		■			■		P2RC
403 Furan	110-00-9					■	
404 Furfural	98-01-1	■			■		
405 Furfuryl alcohol	98-00-0	■			■		
<b>G</b>							
406 Gasoline	86290-81-5 8006-61-9	■			■		
407 Gelatin	9000-70-8						P2R
408 Germanium tetrahydride	7782-65-2						■
409 Glass, fibrous or dust							P3R
410 Glutaraldehyde	111-30-8	■			■		
411 Glycerine	56-81-5	■			■		P2RC
412 Glycidol (2,3-Epoxy-1-propanol)	556-52-5	■			■		
413 Glycidyl isopropyl ether	4016-14-2	■			■		P2RC
414 Glyoxal	107-22-2					■	P3RC
415 Graphite, natural	7782-42-5						P2R
<b>H</b>							
416 Hafnium and compounds, as Hf	7440-58-6						P2R
417 Helium	7440-59-7						■
418 Halotane (2-Bromo-2-chloro-1,1,1-trifluoroethane)	151-67-7					■	
419 Heptachlor	76-44-8						P3R
420 n-Heptane	142-82-5	■			■		
421 2-Heptanone	110-43-0	■			■		
422 3-Heptanone	106-35-4	■			■		
423 4-Heptanone	123-19-3	■			■		
424 Hexachlorobenzene (HCB)	118-74-1						P3R
425 Hexachlorocyclopentadiene	77-47-4	■			■		
426 Hexachloroethane	67-72-1	■			■		P3RC
427 Hexamethylenediamine	124-09-4	■			■		P2RC
428 Hexamethylene diisocyanate	822-06-0	■			■		
429 Hexamethylenetetramine	100-97-0	■			■		P2RC
430 Hexamethylphosphoramide	680-31-9	■			■		P3RC
431 n-Hexane	110-54-3	■			■		
432 n-Hexanol	111-27-3	■			■		
433 2-Hexanone	591-78-6	■			■		
434 1-Hexene	592-41-6					■	

SUBSTANCE	CAS No.	RECOMMENDED FILTERS				Particle Filter	Airline or SCBA
		Gas Filter					
		A	K	A B E K	AX		
435 cis-2-Hexene	7688-21-3	■		■			
436 trans-2-Hexene	4050-45-7	■		■			
437 Hexylamine	111-26-2	■		■			
438 Hexylene glycol	107-41-5	■		■			
439 Hydrazine	302-01-2		■	■		P3RC	
440 Hydrazobenzene (1,2-Diphenylhydrazine)	122-66-7					P2R	
441 Hydrozoic acid	7782-79-8			■			
442 Hydrogenated terphenyls	61788-32-7	■		■			
443 Hydrogen bromide	10035-10-6			■			
444 Hydrogen chloride	7647-01-0			■			
445 Hydrogen cyanide	74-90-8			■			
446 Hydrogen fluoride, as F	7664-39-3			■			
447 Hydrogen peroxide	7722-84-1			■			
448 Hydrogen selenide	7783-07-5			■			
449 Hydrogen sulfide	7783-06-4			■			
450 Hydroxylamine	7803-49-8			■			
451 2-Hydroxypropyl acrylate	999-61-1	■		■			
<b>I</b>							
452 Indene	95-13-6	■		■			
453 Indium and compounds, as In	7440-74-6					P3R	
454 Inorganic fiber						P3R	
455 Iodine	7553-56-2	■		■		P3RC	
456 Iodoform	75-47-8	■		■		P2RC	
457 Iodomethane (Methyl iodide)	74-88-4				■		
458 Iron( ) chloride	7758-94-3					P2R	
459 Iron( ) chloride	7705-08-0					P2R	
460 Iron( ) oxide	1345-25-1					P2R	
461 Iron( ) oxide	1309-37-1					P2R	
462 Iron pentacarbonyl	13463-40-6	■		■			
463 Iron( ) sulfide	1317-37-9					P2R	
464 Iron( ) sulfide	12063-27-3					P2R	
465 Iron salts, soluble, as Fe						P2R	
466 Isoamyl acetate	123-92-2	■		■			
467 Isoamyl alcohol	123-51-3	■		■			
468 Isobutane	75-28-5				■		
469 Isobutanol (Isobutyl alcohol)	78-83-1	■		■			
470 Isobutyl acetate	110-19-0	■		■			
471 Isobutylamine	78-81-9	■		■			
472 Isobutyrate	542-55-2	■		■			
473 Isobutyraldehyde	78-84-2				■		
474 Isoflurane	26675-46-7				■	P2RC	
475 Isooctane (2,2,4-Trimethylpentane)	540-84-1	■		■			
476 Isophorone	78-59-1	■		■			
477 Isophorone diisocyanate	4098-71-9	■		■			
478 Isopropyl acetate	108-21-4	■		■			
479 Isopropylamine	75-31-0				■		
480 N-Isopropylaniline	768-92-5				■		
481 Isopropyl ether	108-20-3	■		■			
482 Isopropyl nitrate	1712-64-7	■		■		P2RC	
483 Isopropyl oil		■		■		P2RC	
<b>J</b>							
484 Jet fuel		■		■		P2RC	
<b>K</b>							
485 Kerosene		■		■		P2RC	
<b>L</b>							
486 Lactic acid	50-21-5			■		P2RC	
487 Lead and inorganic compounds, as Pb	7439-92-1					P3R	
488 Lead alkyls	75-74-1 78-00-2	■		■		P3RC	
489 Lead( ) acetate trihydrate	6080-56-4					P2R	
490 Lead arsenate	3687-31-8					P3R	
491 Lead chromate	7758-97-6					P3R	
492 Linseed oil		■		■		P2RC	
493 Lindane (γ-Hexachlorocyclohexane)	58-89-9					P3RC	
494 Lithium hydride	7580-67-8					P3R	
495 Lithium hydroxide	1310-65-2					P2R	
<b>M</b>							
496 Magnesium chloride	7786-30-3					P2R	
497 Magnesium hydroxide	1309-42-8					P2R	
498 Magnesium oxide	1309-48-4					P2R	
499 Magnesium sulfate	7487-88-9					P2R	
500 Malathion	121-75-5	■		■		P2RC	
501 Maleic acid	110-16-7					P2R	
502 Maleic anhydride	108-31-6	■		■		P3RC	

Substance	CAS No.	RECOMMENDED FILTERS				Particle Filter	Airline or SCBA
		Gas Filter					
		A	K	A B E K	AX		
503 Manganese and inorganic compounds, as Mn	7439-96-5						P2R
504 Manganese, fume, as Mn	7439-96-5						P2R
505 Manganese cyclopentadienyl tricarbonyl, as Mn	12079-65-1						P3R
506 Manganese( ) oxide	1313-13-9						P2R
507 2-Mercaptoethanol	60-24-2			■			
508 Mercury and compounds, as Hg	7439-97-6						■
509 Mesityl oxide	141-79-7	■		■			
510 Methacrylic acid	79-41-4	■		■			P2RC
511 Methacrylonitrile	126-98-7	■		■			
512 Methane	74-82-8						■
513 Methanol (Methyl alcohol)	67-56-1				■		
514 Methylol	16752-77-5						P3R
515 Methoxychlor	72-43-5						P2R
516 2-Methoxyethanol (EGME)	109-86-4	■		■			
517 2-Methoxyethyl acetate (EGMEA)	110-49-6	■		■			
518 1-Methoxy-2-propanol	107-98-2	■		■			
519 2-Methoxy-1-propanol	1589-47-5	■		■			
520 1-Methoxy-2-propanol acetate	108-65-6	■		■			
521 2-Methoxy-1-propanol acetate	70657-70-4	■		■			
522 Methyl acetate	79-20-9				■		
523 Methyl acrylate	96-33-3	■		■			
524 Methylamine	74-89-5		■	■			
525 N-Methylaniline	100-61-8	■		■			
526 2-Methylbutane	78-78-4				■		
527 Methyl-tert-butyl ether	1634-04-4				■		
528 Methyl chloroform (1,1,1-Trichloroethane)	71-55-6	■		■			
529 Methyl-2-cyanoacrylate	137-05-3			■			
530 Methylcyclohexane	108-87-2	■		■			
531 Methylcyclohexanol	25639-42-3	■		■			
532 2-Methylcyclohexanone	583-60-8	■		■			
533 Methyl demeton (Demeton-methyl)	8022-00-2	■		■			P3RC
534 4,4'-Methylene-bis(2-chloroaniline) (MBOCA)	101-14-4						P3R
535 4,4'-Methylene dianiline (4,4'-Diaminodiphenyl-methane)	101-77-9						P3R
536 Methyl ethyl ketone peroxide	1338-23-4	■		■			
537 Methyl formate	107-31-3				■		
538 Methyl hydrazine	60-34-4			■			
539 Methyl isomyl ketone(5-Methyl-2-hexanone)	110-12-3	■		■			
540 Methyl isobutyl carbinol (4-Methyl-2-pentanol)	108-11-2	■		■			
541 Methyl isobutyl ketone (4-Methyl-2-pentanone)	108-10-1	■		■			
542 Methyl isocyanate	624-83-9				■		
543 Methyl mercaptan (Methanethiol)	74-93-1				■		
544 Methyl mercury	22967-92-6						■
545 Methyl methacrylate	80-62-6	■		■			
546 Methyl parthion	298-00-0	■		■			P3RC
547 2-Methylpentane	107-83-5				■		
548 3-Methylpentane	96-14-0				■		
549 4-Methylpent-3-en-2-on	141-79-7	■		■			
550 2-Methyl-2-propanol (tert-Butyl alcohol)	75-65-0	■		■			P2RC
551 Methyl propyl ketone (2-Pentanone)	107-87-9	■		■			
552 2-Methyl-2-propanethiol	75-66-1				■		
553 Methyl propionate	554-12-1	■		■			
554 N-Methyl-2-pyrrolidone	872-50-4	■		■			
555 Methyl silicate	681-84-5	■		■			
556 α-Methyl styrene	98-83-9	■		■			
557 Mevinphos (Phosdrin®)	7786-34-7	■		■			P3RC
558 Mineral wool fiber							P2R
559 Molybdenum and compounds, as Mo	7439-98-7						P3R
560 Monochloroacetic acid	79-11-8						P2R
561 Morpholine	110-91-8	■		■			
562 Motor oils, used		■		■			P2RC
563 Mustard gas (2,2'-Dichlorodiethyl sulfide)	505-60-2			■			P3RC
<b>N</b>							
564 Naled (Dibrom)	300-76-5	■		■			P3RC
565 Naphtha, Benzin	8030-30-6	■		■			P2RC
566 Naphtha (petroleum), Hydrotreated heavy	64742-48-9	■		■			P2RC
567 Naphthalene	91-20-3	■		■			P3RC
568 1,5-Naphthalene diisocyanate (NDI)	3173-72-6						P2R
569 α-Naphthylamine (1-Naphthylamine)	134-32-7						P2R
570 β-Naphthylamine (2-Naphthylamine)	91-59-8						P3R
571 Neon	7440-01-9						■
572 Nickel	7440-02-0						P3R
573 Nickel carbonate	3333-67-3						P3R
574 Nickel chloride	7718-54-9						P3R
575 Nickel oxide	1313-99-1						P3R
576 Nickel sulfide	16812-54-7						P3R
577 Nicotine	54-11-5	■		■			
578 Nitrapyrin (2-Chloro-6-(trichloromethyl)pyridine)	1929-82-4						P2R
579 Nitric acid	7697-37-2			■			

SUBSTANCE	CAS No.	RECOMMENDED FILTERS				Particle Filter	Airline or SCBA
		Gas Filter					
		A	K	A B E K	AX		
580 5-Nitroacenaphthene	602-87-9					P3R	
581 2-Nitro-4-aminophenol	119-34-6					P2R	
582 4-Nitroaniline	100-01-6					P2R	
583 Nitrobenzene	98-95-3	■		■		P3RC	
584 4-Nitrobiphenyl	92-93-3					P3R	
585 Nitroethane	79-24-3	■		■			
586 Nitrogen dioxide	10102-44-0			■			
587 Nitrogen monoxide	10102-43-9						■
588 Nitrogen trifluoride	7783-54-2						■
589 Nitroglycerin (Glyceryl trinitrate)	55-63-0	■		■		P2RC	
590 Nitromethane	75-52-5	■		■			
591 1-Nitronaphthalene	86-57-7					P2R	
592 2-Nitronaphthalene	581-89-5					P2R	
593 5-Nitro-o-toluidine	99-55-8					P3R	
594 2-Nitro-1,4-phenylenediamine	5307-14-2					P2R	
595 1-Nitropropane	108-03-2	■		■			
596 2-Nitropropane	79-46-9	■		■			
597 1-Nitropyrene	5522-43-0					P3R	
598 2-Nitropyrene	789-07-1					P2R	
599 4-Nitropyrene	57835-92-4					P3R	
600 N-Nitrosodiethanolamine (NDELA)	1116-54-7					P3R	
601 N-Nitrosodiethylamine (NDEA)	55-18-5	■		■		P3RC	
602 N-Nitrosodisopropylamine	601-77-4					P2R	
603 N-Nitrosodimethylamine	62-75-9	■		■		P2RC	
604 N-Nitrosodi-n-butylamine (DBN)	924-16-3	■		■		P3RC	
605 N-Nitrosodi-n-propylamine (NDPA)	621-64-7	■		■		P3RC	
606 N-Nitrosoethylphenylamine	612-64-6					P2R	
607 N-Nitrosomethylethylamine	10595-95-6	■		■		P3RC	
608 N-Nitrosomethylphenylamine	614-00-6	■		■		P2RC	
609 N-Nitrosomorpholine (NMOR)	59-89-2	■		■		P3RC	
610 N-Nitrosopiperidine (NPIP)	100-75-4	■		■		P3RC	
611 N-Nitrosopyrrolidine (NPYR)	930-55-2	■		■		P3RC	
612 2-Nitrotoluene	88-72-2	■		■			
613 3-Nitrotoluene	99-08-1	■		■		P3RC	
614 4-Nitrotoluene	99-99-0	■		■		P2R	
615 Nonane	111-84-2	■		■			
<b>O</b>							
616 Oakwood dust						P3R	
617 Octachloronaphthalene	2234-13-1					P3R	
618 n-Octane	111-65-9	■		■			
619 1-Octanol	111-87-5	■		■			
620 1-Octene	111-66-0	■		■			
621 Oil mist, mineral	8012-95-1	■		■		P2RC	
622 Osmium tetroxide	20816-12-0			■		P3RC	
623 Oxalic acid	144-62-7					P2R	
624 4,4'-Oxydianiline	101-80-4					P3R	
625 Oxygen difluoride	7783-41-7						■
626 Ozone	10028-15-6						■
<b>P</b>							
627 Palmitic acid	57-10-3					P2R	
628 Paraffin wax fume	8002-74-2	■		■		P2RC	
629 Paraldehyde	123-63-7	■		■		P2RC	
630 Paraquat dichloride	1910-42-5					P3R	
631 Parathion	56-38-2	■		■		P3RC	
632 Pentaborane	19624-22-7						■
633 Pentachloroethane	76-01-7	■		■			
634 Pentachloronaphthalene	1321-64-8					P2R	
635 Pentachlorophenol	87-86-5					P3R	
636 Pentane	109-66-0						■
637 n-Pentanol	71-41-0	■		■			
638 Peracetic acid	79-21-0			■		P2RC	
639 Perchloromethyl mercaptan	594-42-3	■		■		P2RC	
640 Perchloryl fluoride	7616-94-6			■			
641 Permethrin	52645-53-1	■		■		P2RC	
642 Phenol	108-95-2	■		■		P2RC	
643 Phenolphthalein dissolved in ethanol	77-09-8	■		■		P3RC	
644 Phenyl acetate	122-79-2	■		■		P2RC	
645 p-Phenylenediamine	106-50-3					P3R	
646 Phenyl ether	101-84-8	■		■		P2RC	
647 Phenyl ether/biphenyl mixture	8004-13-5	■		■		P2RC	
648 Phenyl glycidyl ether (PGE)	122-60-1	■		■		P2RC	
649 Phenylhydrazine	100-63-0	■		■		P3RC	
650 Phenyl isocyanate	103-71-9	■		■			
651 Phenyl mercaptan	108-98-5			■		P2RC	
652 N-Phenyl-β-naphthylamine	135-88-6					P2R	
653 Phenylphosphine	638-21-1						■
654 Phorate	298-02-2	■		■			

Substance	CAS No.	RECOMMENDED FILTERS				Particle Filter	Airline or SCBA
		Gas Filter					
		A	K	A B E K	AX		
655 Phosgene (Carbonyl chloride)	75-44-5			■			
656 Phosphine	7803-51-2						■
657 Phosphoric acid	7664-38-2			■		P2RC	
658 Phosphorous acid	13598-36-2					P2R	
659 Phosphorus, Yellow	12185-10-3			■		P3RC	
660 Phosphorus oxychloride	10025-87-3			■		P2RC	
661 Phosphorus pentachloride	10026-13-8			■		P2RC	
662 Phosphorus pentasulfide	1314-80-3			■		P2RC	
663 Phosphorus pentoxide	1314-56-3			■		P2RC	
664 Phthalic anhydride	85-44-9	■		■		P2RC	
665 Picloram	1918-02-1					P2R	
666 Picric acid	88-89-1					P3R	
667 Platinum, soluble salts, as Pt	7440-06-4					P2R	
668 Polychlorinated biphenyls (PCBs)	1336-36-3					P3R	
669 Polyvinyl chloride (PVC)	9002-86-2					P2R	
670 Portland cement	65997-15-1					P2R	
671 Potassium chloride	7447-40-7					P2R	
672 Potassium chromate	7789-00-6					P3R	
673 Potassium cyanide, as CN	151-50-8					P2R	
674 Potassium hydroxide	1310-58-3					P3R	
675 Potassium sulfate	7778-80-5					P2R	
676 1,3-Propane sultone	1120-71-4	■		■		P3RC	
677 2-Propanethiol	75-33-2				■		
678 n-Propanol (n-Propyl alcohol)	71-23-8	■		■			
679 2-Propanol (Isopropyl alcohol)	67-63-0	■		■			
680 Propargyl alcohol	107-19-7	■		■			
681 β-Propiolactone	57-57-8	■		■			
682 Propionaldehyde (Propanal)	123-38-6				■		
683 Propionic acid	79-09-4			■			
684 Propouur	114-26-1					P3R	
685 n-Propyl acetate	109-60-4	■		■			
686 Propylamine	107-10-8		■	■			
687 Propylene	115-07-1						■
688 Propylene glycol	57-55-6	■		■			
689 Propylene glycol dinitrate (PGDN)	6423-43-4	■		■		P2RC	
690 Propylene oxide (1,2-Epoxypropane)	75-56-9				■		
691 Propylenimine	75-55-8	■		■		P3RC	
692 Propyl formate	110-74-7	■		■			
693 n-Propyl mercaptan	107-03-9	■		■			
694 Pyrethrum	8003-34-7	■		■		P2RC	
695 Pyridine	110-86-1	■		■			
<b>Q</b>							
696 Quinone (p-Benzoquinone)	106-51-4	■		■		P2RC	
<b>R</b>							
697 Radium, elemental	7440-16-6					P2R	
698 Rotenone, commercial	83-79-4	■		■		P2RC	
<b>S</b>							
699 Salicylic acid	69-72-7					P2R	
700 Sarin (GB)	107-44-8	■		■		P3RC	
701 Selenium compounds, as Se	7782-49-2					P3R	
702 Silica, amorphous, fused	60676-86-0					P2R	
703 Silica, amorphous, silica fume	69012-64-2					P2R	
704 Silica, crystalline, cristobalite	14464-46-1					P3R	
705 Silica, crystalline, α-quartz	14808-60-7					P3R	
706 Silicon carbide, fibrous dust	409-21-2					P3R	
707 Silicon carbide, nonfibrous	409-21-2					P2R	
708 Silver, metal	7440-22-4					P3R	
709 Silver, soluble compounds, as Ag	7440-22-4					P3R	
710 Soap solution						P2R	
711 Sodium azide	26628-22-8					P2R	
712 Sodium benzoate	532-32-1					P2R	
713 Sodium bisulfite	7631-90-5					P2R	
714 Sodium chlorate	7775-09-9					P2R	
715 Sodium chloride	7647-14-5					P2R	
716 Sodium chromate	7775-11-3					P2R	
717 Sodium cyanide, as CN	143-33-9			■		P3RC	
718 Sodium fluoroacetate	62-74-8			■		P3RC	
719 Sodium hydrogen carbonate	144-55-8					P2R	
720 Sodium hydroxide	1310-73-2					P2R	
721 Sodium metabisulfite	7681-57-4					P2R	
722 Sodium silicate	6834-92-0					P2R	
723 Sodium sulfate	7757-82-6					P2R	
724 Sodium thiosulfate	7772-98-7			■		P2RC	
725 Soman →GD	96-64-0	■		■		P3RC	
726 Stearic acid	57-11-4					P2R	
727 Stibine	7803-52-3						■

SUBSTANCE	CAS No.	RECOMMENDED FILTERS				Particle Filter	Airline or SCBA
		Gas Filter					
		A	K	A B E K	AX		
728 Stoddard solvent	8062-41-3	■		■		P2RC	
729 Strontium chromate, as Cr	7789-06-2					P3R	
730 Strychnine	57-24-9					P3R	
731 Styrene, monomer	100-42-5	■		■			
732 Subtilisin	1395-21-7					P3R	
733 Sulfotep (TEDP)	3689-24-5			■		P3RC	
734 Sulfur dichloride	10545-99-0			■			
735 Sulfur dioxide	7446-09-5			■			
736 Sulfuric acid	7664-93-9			■		P3RC	
737 Sulfur pentafluoride	5714-22-7			■			
738 Sulfur tetrafluoride	7783-60-0						■
739 Sulfur trioxide	7446-11-9			■		P2RC	
740 Sulfuryl chloride	7791-25-5			■			
741 Sulfuryl difluoride	2699-79-8						■
<b>T</b>							
742 2,4,5-T (2,4,5-Trichlorophenoxy acetic acid)	93-76-5					P2R	
743 Tabun (GA)	77-81-6	■		■		P3RC	
744 Talc, containing no asbestos fibers	14807-96-6					P2R	
745 Tannic acid and tannins	1401-55-4					P2R	
746 Tantalum, metal	7440-25-7					P2R	
747 Tar fumes						P2R	
748 Tartaric acid	526-83-0					P2R	
749 Tellurium and compounds, as Te	13494-80-9					P3R	
750 Tellurium hexafluoride, as Te	7783-80-4						■
751 Turpentine oil		■		■			
752 Terphenyls	26140-60-3					P2R	
753 1,1,2,2-Tetrabromoethane	79-27-6	■		■			
754 2,3,7,8-Tetrachlorodibenzo-p-dioxin (TCDD)	1746-01-6					P3R	
755 1,1,1,2-Tetrachloro-2,2-difluoroethane (FC-112a)	76-11-9	■		■		P2RC	
756 1,1,2,2-Tetrachloro-1,2-difluoroethane (FC-112)	76-12-0	■		■		P2RC	
757 1,1,2,2-Tetrachloroethane	79-34-5	■		■			
758 Tetrachloroethylene (Perchloroethylene)	127-18-4	■		■			
759 Tetrachloronaphthalene	1335-88-2					P2R	
760 Tetraethyl lead	78-00-2	■		■			
761 Tetraethyl pyrophosphate (TEPP)	107-49-3	■		■		P3RC	
762 Tetraethyl silicate	78-10-4	■		■			
763 Tetrahydrofuran	109-99-9	■		■			
764 Tetrahydrothiophene (THT)	110-01-0			■			
765 1,2,4,5-Tetramethylbenzene	95-93-2					P2R	
766 Tetramethyl lead	75-74-1	■		■			
767 Tetramethyl succinonitrile	3333-52-6	■		■		P3RC	
768 Tetranitromethane	509-14-8			■		P3RC	
769 1,3,6,8-Tetranitropyrene	28767-61-5					P2R	
770 Tetrasodium pyrophosphate	7722-88-5					P2R	
771 Tetryl (N-Methyl-N,2,4,6-tetraaminoaniline)	479-45-8					P2R	
772 Thallium and soluble compounds, as Tl	7440-28-0					P3R	
773 4,4'-Thiobis(6-tert-butyl-m-cresol)	96-69-5					P2R	
774 4,4'-Thiodianiline	139-65-1					P3R	
775 Thioglycolic acid	68-11-1			■			
776 Thionyl chloride	7719-09-7			■			
777 Thiourea	62-56-6					P2R	
778 Thiram	137-26-8					P3R	
779 Tin( ) chloride	7646-78-8			■			
780 Titanium dioxide	13463-67-7					P3R	
781 Toluene (Toluol)	108-88-3	■		■			
782 Toluene-2,4-diisocyanate	584-84-9	■		■		P3RC	
783 Toluene-2,6-diisocyanate	91-08-7	■		■		P3RC	
784 p-Toluidine	106-49-0	■		■		P3RC	
785 Tributyl phosphate	126-73-8	■		■			
786 Tri-n-butyltin benzoate	4342-36-3	■		■		P2RC	
787 Tri-n-butyltin chloride	1461-22-9			■			
788 Tri-n-butyltin fluoride	1983-10-4					P3R	
789 Tri-n-butyltin linoleate	24124-25-2	■		■		P2RC	
790 Tri-n-butyltin methacrylate	2155-70-6	■		■		P2RC	
791 Tri-n-butyltin naphthenate	85409-17-2	■		■			
792 Trichloroacetic acid	76-03-9					P3R	
793 1,2,4-Trichlorobenzene	120-82-1	■		■		P2RC	
794 2,3,4-Trichloro-1-butene	2431-50-7	■		■			
795 1,1,2-Trichloroethane	79-00-5	■		■			
796 Trichloroethylene	79-01-6	■		■			
797 Trichloronaphthalene	1321-65-9					P2R	
798 1,2,3-Trichloropropane	96-18-4	■		■			
799 Tricyclohexyltin hydroxide	13121-70-5					P3R	
800 Tridymite	15468-32-3					P3R	
801 Triethanolamine	102-71-6	■		■		P2RC	
802 Triethylamine	121-44-8	■		■			
803 Triethylene tetramine	112-24-3	■		■			
804 Trimanganese tetraoxide	1317-35-7					P2R	

Substance	CAS No.	RECOMMENDED FILTERS				Particle Filter	Airline or SCBA
		Gas Filter					
		A	K	A B E K	AX		
805 Trimellitic anhydride	552-30-7						
806 Trimethylamine	75-50-3				■		
807 2,4,5-Trimethylaniline	137-17-7					P2R	
808 1,2,3-Trimethyl benzene	526-73-8	■		■			
809 1,2,4-Trimethyl benzene	95-63-6	■		■			
810 1,3,5-Trimethyl benzene (Mesitylene)	108-67-8	■		■			
811 2,4,4-Trimethyl-1-pentene	107-39-1	■		■			
812 Trimethyl phosphate	512-56-1	■		■			
813 Trimethyl phosphite	121-45-9	■		■			
814 2,4,7-Trinitrofluorenone	129-79-3	■		■		P2RC	
815 2,4,6-Trinitrotoluene (TNT)	118-96-7					P3R	
816 1,3,6-Trinitropyrene	75321-19-6					P2R	
817 Tri-o-tolyl phosphate	78-30-8	■		■			
818 Tri-p-tolyl phosphate	78-32-0					P2R	
819 Triphenyl amine	603-34-9					P2R	
820 Triphenyl phosphate	115-86-6	■		■		P2RC	
821 Tungsten and insoluble compounds, as W	7440-33-7					P2R	
822 Turpentine	8006-64-2	■		■			
<b>U</b>							
823 n-Undecane	1120-21-4	■		■			
824 Uranium, natural, soluble and insoluble compounds, as U	7440-61-1					P3R	
<b>V</b>							
825 Vanadium pentoxide, as V	1314-62-1					P3R	
826 Vinyl acetate	108-05-4	■		■			
827 Vinyl chloride (Chloroethylene)	75-01-4				■		
828 Vinyl toluene	25013-15-4	■		■			
829 VM P naphtha	8032-32-4	■		■			
830 VX (nerve agent)	50782-69-9	■		■		P3RC	
<b>W</b>							
831 Warfarin	81-81-2	■		■		P3RC	
832 Welding fumes						P3R	
833 White spirit		■		■			
834 Wood oil						P2R	
<b>X</b>							
835 o-Xylene	95-47-6	■		■			
836 m-Xylene	108-38-3	■		■			
837 p-Xylene	106-42-3	■		■		P2RC	
838 2,6-Xylenol (2,6-Dimethyl phenol)	576-26-1			■		P2R	
839 2,5-Xylenol (2,5-Dimethyl phenol)	95-87-4	■		■		P2RC	
840 2,4-Xylenol (2,4-Dimethyl phenol)	105-67-9			■		P2R	
841 2,3-Xylenol (2,3-Dimethyl phenol)	526-75-0			■		P2RC	
842 3,4-Xylenol (3,4-Dimethyl phenol)	95-65-8	■		■		P2RC	
843 3,5-Xylenol (3,5-Dimethyl phenol)	108-68-9			■		P2R	
844 2,3-Xyldine	87-59-2	■		■		P3RC	
845 2,4-Xyldine	95-68-1	■		■		P2RC	
846 2,5-Xyldine	95-78-3	■		■		P2RC	
847 2,6-Xyldine	87-62-7	■		■		P3RC	
848 3,4-Xyldine	95-64-7	■		■		P3RC	
849 3,5-Xyldine	108-69-0	■		■		P3RC	
<b>Y</b>							
850 Yttrium and compounds, as Y	7440-65-5					P2R	
<b>Z</b>							
851 Zinc chloride, fume	7646-85-7					P2R	
852 Zinc chromates, as Cr	13530-65-9					P3R	
853 Zinc oxide, fume	1314-13-2					P2R	
854 Zinc sulfate	7733-02-0					P2R	
855 Zirconium compounds, as Zr	7440-67-7					P2R	
<b>A1 Cartridges</b>							
n Certified to AS/NZ 1716							
n A1 Cartridges							



## Respirator Inspection & Fitting Instructions

for R7500



Before use, the user must carefully read and understand this instruction. Keep this instruction for reference.

The Maxiguard respirator has been designed to protect its wearer from the inhalation of airborne contaminants but only if it is worn correctly.

Learn how to inspect and fit your respirator before you use it and make sure you do this in uncontaminated air.

If you have any questions about how to use your Maxiguard respirator, see your supervisor or consult AS/NZS 1715:2009 for advice on selection use and maintenance of respiratory protective equipment.

### Directions

#### 1 INSPECTION



Inspect the respirator before each use. If any parts are missing or damaged replace those parts or the entire mask.

1.



Check the facepiece seal & headstraps to ensure they are in good condition, without any holes or tears. Check the cartridge connectors to ensure they are not cracked and are fully inserted into the mask.

2.



Check all the valves to be sure they are present and in good condition. They should be lying flat, without any distortion, tears or holes.

3.



Check the headstraps to be sure they have not lost their elasticity. Make sure the straps are not twisted.

#### 2 ASSEMBLY



If replaceable particulate filters aren't used go to the last step in this section.

1.



For pre-filters only: Insert the pre-filter into the filter retainer following the directions on the pre-filter so it is facing the correct direction.

2.



Snap the filter retainer and spider onto the cartridge.

3.



Thread the cartridges or filter assemblies onto the cartridge connectors on the facepiece.

# Instructions

## 3 FITTING

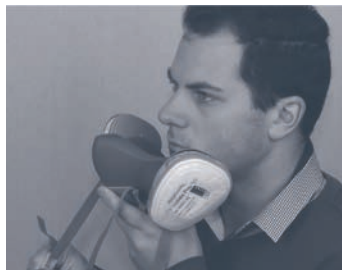
**!** Remove any hard hat or eyewear before fitting your respirator. Put this safety gear back on after fitting.

1.



Adjust the respirator head straps to their full outward position.

2.



With one hand holding the respirator, place your chin inside the chin cup and the top of the respirator over your nose.

3.



With your other hand, position the respirator so they are centred on your head. Remove any slack in the upper straps by pulling the two end tabs back and toward your ears.  
**!** DO NOT TIGHTEN AT THIS TIME.

4.



Fasten the bottom elastic straps behind your neck and under your hair. Remove any slack in the bottom straps by pulling the end tabs in the back towards the front.

**!** DO NOT TIGHTEN AT THIS TIME.

5.



Tighten the upper head straps in small, equal increments to ensure the top half of the respirator is tightened evenly and centred on your face.

6.



Tighten the lower head straps by pulling evenly on the end straps in the back of the respirator until the entire respirator is snug, comfortable and centred on your face.

7.



Gently pull the respirator away from your face and manoeuvre it to ensure it is centred, comfortable and snug. Plastic loops on the top straps slide back to hold down any loose strap material.

## 4 SEAL CHECK

**!** A positive/negative pressure seal check ensures the respirator is seated correctly and in good working order. Exhale vigorously before performing seal checks.

1.



**Positive Pressure Seal Check:** Place the palm of your hand over the exhalation valve so it's completely sealed and exhale gently. The facepiece should push away from your face very slightly.

2.



**Negative Pressure Seal Check:** Place the palm of each hand over the two cartridges or filters so they are completely sealed and inhale. Hold your breath for 5 seconds. The facepiece should pull inward.

**!** If any air leaks are detected during either check, reposition the facepiece and/or readjust the head straps. Repeat the seal check(s) until a seal is obtained.

# Quantitative Fit Test Directions

for RCX01, RCF01 and RRX01

**⚠ Before use, the user must carefully read and understand this instruction. Keep this instruction for reference.**

This product is used when performing a quantitative fit test on Maxisafe STS face piece.

Do not use this product for unintended purposes, as doing so may cause malfunctions or accidents.

Fit Test Adaptor  
(Body)

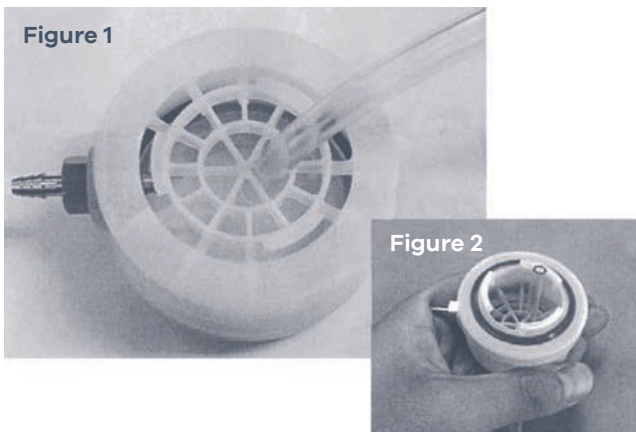
Tube  
Connector



Filter Side

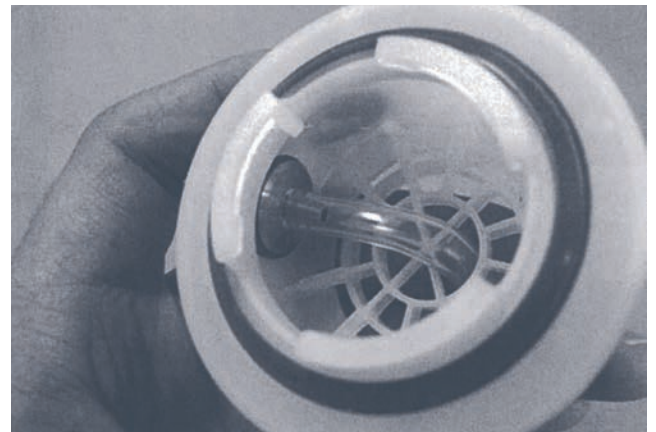
## Directions

1.



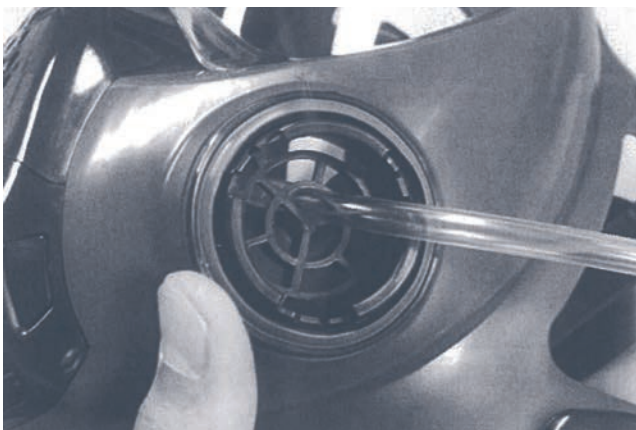
Insert the sampling tube into the large hole in the center from the face side of the fit test adaptor (see Fig. 1 and 2).

2.



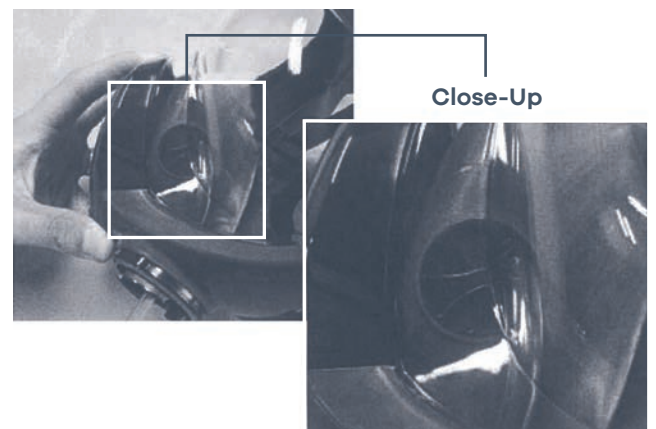
Connect the end of the tube into the inner part of the tube connector.

3.



Insert the other side of the tube through a hole of the inhalation valve seat, making sure that the inhalation valve does not tear loose from the inhalation valve seat.

4.



Insert the other side of the tube through a hole of the inhalation valve seat, making sure that the inhalation valve does not tear loose from the inhalation valve seat.



# Instructions

5.



Place the end of the tube inside the nose cup.

\*If the tube is convex due to surplus length, make it to be on the inner surface of the nose cup. (See Fig. 3)



6.



Attach the fit test adapter to the face piece, making sure not to twist or pinch the tube.

7.



Attach the P3-particle filter to the fit test adapter and the inhalation valve seat on the other side.

8.



Use the tube to connect the tube connector and the measuring instrument (the measuring instrument pictured is the MT-03 Mask Fitting Tester made by Sibata Scientific Technology Ltd.).

9.

Wear the respirator according to the respirator instructions.

10.

Measure the leakage rate according to the measuring instrument instructions.

11.

After performing the fit test, remove the fit test adapter from the face piece.



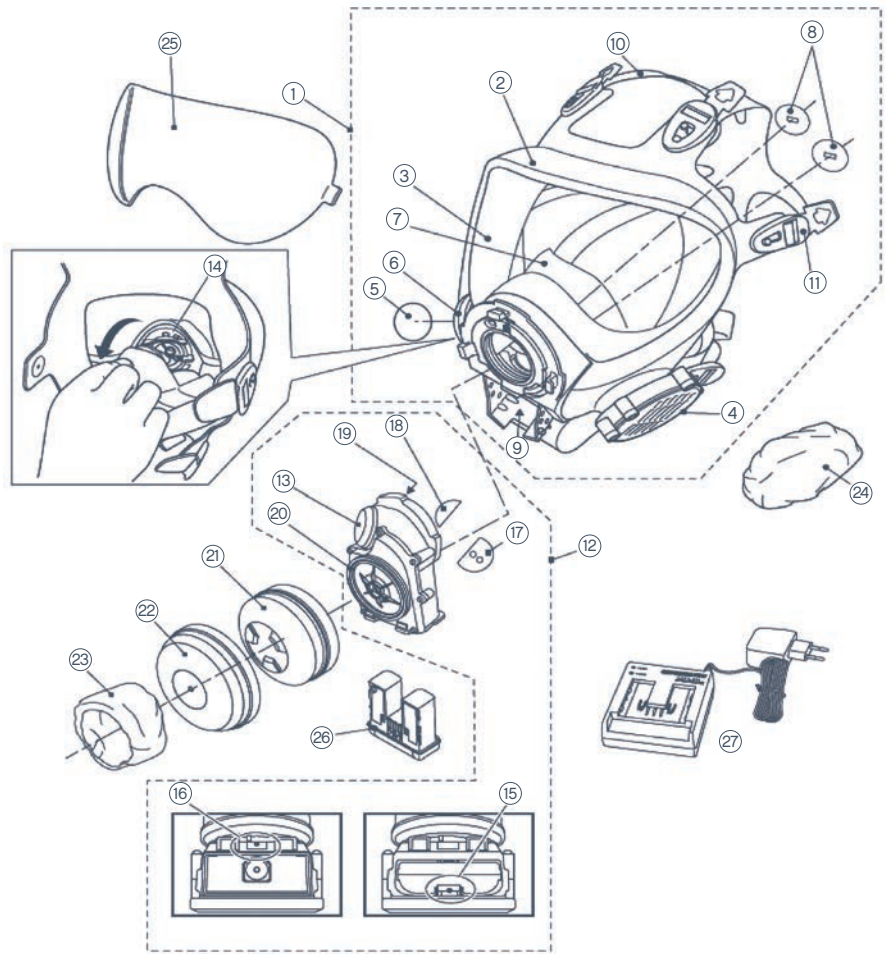


## Powered Full Face Respirator Parts List

RSYNC01VP3-L

### Parts List

No.	Part Name		Order No.
<b>Facepiece</b>			
1	*Facepiece "FP-E01"	M	41731
		L	41732
2	Face Blank		-
3	Visor		-
4	Speech Diaphragm		-
5	Exhalation Valve		50000
6	Exhalation Valve Cover		03126
7	*Inner Mask		41114
8	*Inner Mask Valve		50122
9	*Drain Valve		50008
10	*Head Harness		41401
11	Buckle		-
<b>Fan Unit</b>			
12	*Fan Unit "FU-E01"		41730
13	Breathing Monitor		-
14	Filter Replacement Indicator		-
15	Battery Lock Lever		-
16	Battery Life Indicators		-
17	*Inhalation Valve		03127
18	*Protective Sponge		03124
19	*Gasket (Fan Unit - Facepiece)		03123
20	*Gasket (Filter - Fan Unit)		03122
<b>Others</b>			
21	*Filter "VP3"		40350
22	*Filter Guard		03118
23	*Unit Cover		02800
24	*Speech Diaphragm Cover		03109
25	*Cover glass		02659
26	*Battery "BA-L2H-E"		41735
27	*Charger "CH-L2HAC"		41734



\*=Spare parts available for purchase

### Compatible Filters

Filter	Part Name	Filter Type	Colour Code	Application
Particle Filter	VP3	P R SL	White	Solid and liquid particles

# Parts List

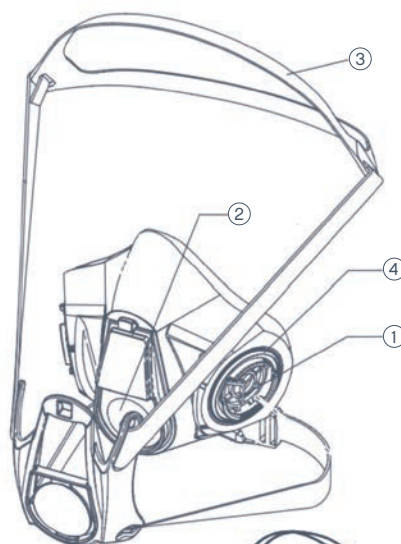


## Air Powered Respirator Parts List

RSO1, RX01, CF01

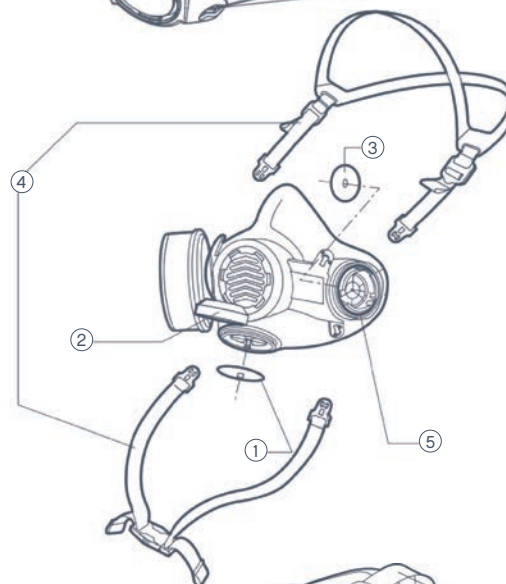
### RSO1 Half Face Respirator Parts List

No.	Part Name	Order No.
1	Inhalation Valve (5pcs / Pack)	50121
2	Exhalation Valve (5pcs / Pack)	50000
3	Head Harness (5pcs / Pack)	41414
4	Gasket (10pcs / Pack)	50418



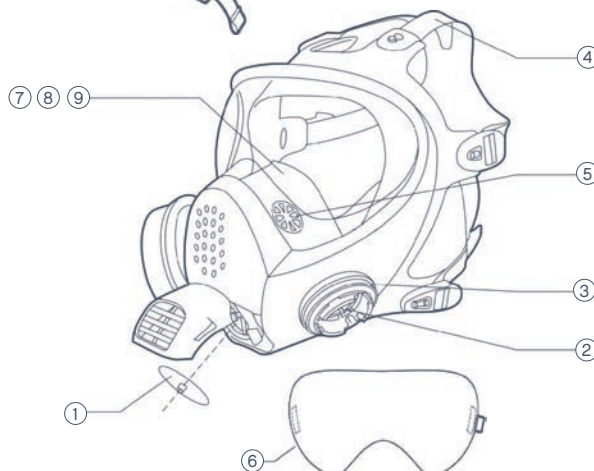
### RX01 Half Face Respirator Parts List

No.	Part Name	Order No.
1	Exhalation Value (5pcs / Pack)	50000
2	Exhalation Value Cover	41471
3	Inhalation Valve (5pcs / Pack)	50121
4	Head Harness (5pcs / Pack)	50310
5	Gasket (10pcs / Pack)	50418



### CF01 Full Face Respirator Parts List

No.	Part Name	Order No.
1	Exhalation Value (5pcs / Pack)	50000
2	Inhalation Valve (5pcs / Pack)	50121
3	Gasket (10pcs / Pack)	50418
4	Head Harness	41401
5	Inner Mask Valve (5pcs / Pack)	50122
6	Visor Protection Cover (5pcs / Pack)	02659
7	Inner Mask Valve (with inner valve and inner mask valve seat)	S 41101
8		M 41102
9		L 41103



# Common Questions on Respiratory

## When do I replace my Particulate Filters?

It is recommended that you replace your Particle Filters when:

- It becomes difficult to breathe comfortably (this will vary from individual to individual).
- The filter becomes dirty or physical damage occurs

## When do I replace my Gas & Vapor Cartridges?

Service life (i.e., how long it will last) of any gas and vapor cartridge is affected by many factors such as the: contaminant, contaminant concentration, breathing rate, humidity level, temperature and other use conditions.

- Before using – always check the expiry date printed on the packaging of Gas & Vapor Cartridges
- Write the date on the cartridges when first removing from the packaging
- Change in accordance with your established cartridge change schedule or government regulation
- If at any time you smell or taste the contaminant or irritation is detected, leave the contaminated area immediately and try adjusting your respirator and/or change the respirator cartridges

## How long will Cartridges last on the shelf?

- Cartridges must be stored unopened in their original packaging and out of direct sunlight, humidity and high temperature.
- Cartridges will last five years from date of manufacture
- Note “use by” date on packaging

## Why do I need to use Particulate PreFilters with Cartridges on my Mask?

- The particle filter helps remove particles and tiny droplets of moisture in the air. The gas and vapor cartridges do not filter these particles on their own

## Can I wear Respirators with a beard?

- No. AS/NZ requires respirator wearers to be clean-shaven, as beards and facial hair prevent a good seal between the face and the faceseal of the respirator.

**techware**<sup>®</sup>  
our brands have got you covered.

T. 1300 062 947  
sales@techware.net.au

[www.maxisafe.com.au](http://www.maxisafe.com.au)