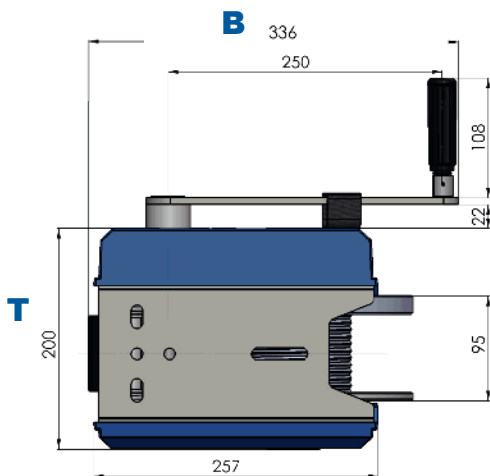
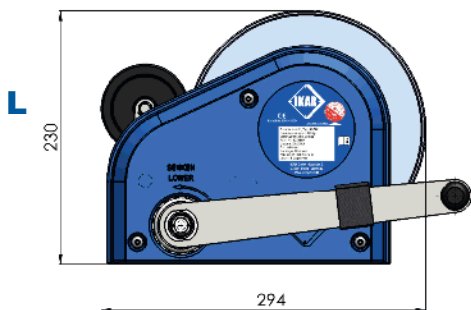




Personnel and Load Winch

Personnel and load winch acc. to RL 2006/42/EG

Certified on the basis of EN 1808/2015



Product information:

<i>Order No.:</i>	<i>Rope Length</i>	<i>Weight</i>	<i>Dimensions (LxBxT)</i>
<i>41-PLW</i>	<i>max. 30 m</i>	<i>18.5 kg</i>	<i>230 x 336 x 200 mm</i>

Features:

IKAR Personnel and load winch

- made from stainless steel
- hand operated winch for an easy and jolt-free lifting and lowering of persons and loads
- maximum load 300 kg
- stainless steel rope with \varnothing 6 mm (min. breaking load 18.76 kN)
- rope length max. 30 m
- length handle: 250 mm
- weight of winch approx. 18.5 kg

Personnel and load winch acc. to RL 2006/42/EG